

MULTIFUNCTIONAL STAINLESS SCALES HTY/C



issue date 25-04-2012



APPLICATION





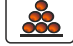


Multifunctional scales series **HTY/C** are designed to fast and precise determination of mass in industrial conditions. Scales enable cooperating with barcode scanners, receipt printers, label printers, RFID scanners and PC peripherals (mouse, keyboard, data storage device through USB port).

DESIGN AND FUNCTIONALITY

HTY/C series features PUE HY terminal in stainless steel housing and a single load cell mild steel, powder coated weighing platform.

All types of **HTY/C** scales have mild steel, powder coated basis with stainless steel weighing platform and a 5,7" display in touch panel technology with membrane QWERTY keyboard and separate numeric and function keys. The scale can cooperate with an additional weighing platform. Optionally, the **HTY/C** scale enables cooperating with an additional weighing platform, and additionally provides:

MODES:

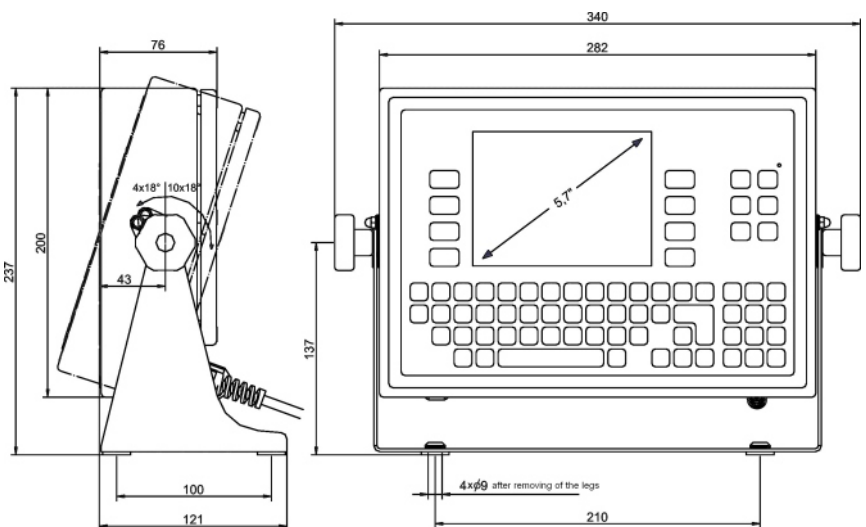
-  Weighing
-  Labeling
-  Summing function
-  Checkweighing
-  Counting pieces
-  Percent setup
-  Statistics

Multifunctional scales series **HTY/C** are offered with a terminal connected to the weighing platform with a cable.

- programmable display and function keys,
- designing custom printouts,
- designing text data in display's window.

Features of PUE HY terminal:

- Counting pieces in industrial systems,
- Labeling in industrial weighing systems,
- Simultaneous operation of maximally 4 weighing platforms - option,
- Intuitive operation through touch panel and dedicated QWERTY keyboard,
- Industrial interfaces: Profibus, RS485,
- Connection of terminals into network through Ethernet,
- Cooperation with external weighing module MW-01.



Technical data:

	HTY 6 C1/K	HTY 15 C1/K	HTY 30 C1/K	HTY 30 C2/K	HTY 60 C2/K
Max capacity	6 kg	15 kg	30 kg	30 kg	60 kg
Readability	2 g	5 g	10 g	10 g	20 g
Tare range	-6 kg	-15 kg	-30 kg	-30 kg	-60 kg
Pan size		290 × 360 mm		400 × 500 mm	
OIML Class	III				
Housing	Stainless steel				
Display	TFT 5,7" with touch panel				
IP rating	IP 65 - platform, IP 66/67 - indicator				
Operating temperature	-10° ÷ +40 °C				
Interfaces	RS 232, USB, Ethernet				
IN / OUT	3 IN / 3 OUT - slot				
Power supply	100 ÷ 240V AC 50÷60Hz				
Optionally power supply	10 ÷ 24V DC 2A				
Net weight / Gross weight	10 / 11,5 kg			16 / 18 kg	
Packaging size	55 × 42 × 22 cm			72 × 58 × 22 cm	

Technical data:

	HTY 150 C2/K	HTY 300 C2/K	HTY 150 C3/K	HTY 300 C3/K
Max capacity	150 kg	300 kg	150 kg	300 kg
Readability	50 g	100 g	50 g	100 g
Tare range	-150 kg	-300 kg	-150 kg	-300 kg
Pan size	400 × 500 mm		500 × 700 mm	
OIML Class	III			
Housing	Stainless steel			
Display	TFT 5,7" with touch panel			
IP rating	IP 65 - platform, IP 66/67 - indicator			
Operating temperature	-10° ÷ +40 °C			
Interfaces	RS 232, USB, Ethernet			
IN / OUT	3 IN / 3 OUT - slot			
Power supply	100 ÷ 240V AC 50÷60Hz			
Optionally power supply	10 ÷ 24V DC 2A			
Net weight / Gross weight	16 / 18 kg		25 / 28 kg	
Packaging size	72 × 58 × 22 cm		82 × 64 × 26 cm	

Technical data:

	HTY 3/6 C1/K	HTY 6/15 C1/K	HTY 15/30 C1/K	HTY 15/30 C2/K	HTY 30/60 C2/K
Max capacity	3 / 6 kg	6 / 15 kg	15 / 30 kg	15 / 30 kg	60 kg
Readability	1 / 2 g	2 / 5 g	5 / 10 g	5 / 10 g	10 / 20 g
Tare range	-6 kg	-15 kg	-30 kg	-30 kg	-60 kg
Pan size	290 × 360 mm			400 × 500 mm	
OIML Class	III				
Housing	Stainless steel				
Display	TFT 5,7" with touch panel				
IP rating	IP 65 - platform, IP 66/67 - indicator				
Operating temperature	-10° ÷ +40 °C				
Interfaces	RS 232, USB, Ethernet				
IN / OUT	3 IN / 3 OUT - slot				
Power supply	100 ÷ 240V AC 50÷60Hz				
Optionally power supply	10 ÷ 24V DC 2A				
Net weight / Gross weight	10 / 11,5 kg			16 / 18 kg	
Packaging size	55 × 42 × 22 cm			72 × 58 × 22 cm	

Technical data:

	HTY 60/150 C2/K	HTY 150/300 C2/K	HTY 60/150 C3/K	HTY 150/300 C3/K
Max capacity	60 / 150 kg	150 / 300 kg	60 / 150 kg	150 / 300 kg
Readability	20 / 50 g	50 / 100 g	20 / 50 g	50 / 100 g
Tare range	-150 kg	-300 kg	-150 kg	-300 kg
Pan size	400 × 500 mm		500 × 700 mm	
OIML Class	III			
Housing	Stainless steel			
Display	TFT 5,7" with touch panel			
IP rating	IP 65 - platform, IP 66/67 - indicator			
Operating temperature	-10° ÷ +40 °C			
Interfaces	RS 232, USB, Ethernet			
IN / OUT	3 IN / 3 OUT - slot			
Power supply	100 ÷ 240V AC 50÷60Hz			
Optionally power supply	10 ÷ 24V DC 2A			
Net weight / Gross weight	16 / 18 kg		25 / 28 kg	
Packaging size	72 × 58 × 22 cm		82 × 64 × 26 cm	

Accessories:

Label printer Kafka	Bar Code Scanner
Dot matrix Epson printer	Cable RS 232 [scale - label printer "Kafka"]: PT0018
Label printer Citizen	Cable RS 232 [scale - printer "Epson"]: PT0019
TARE and PRINT button: PT0021	Cable RS 232 [scale - label printer "Citizen"]: PT0019
Transponder card scanner: CK-01	Cable Ethernet [scale - Ethernet]: P0198

MULTIFUNCTIONAL STAINLESS SCALES HTY/H



issue date 25-04-2012



APPLICATION

Multifunctional stainless steel scales series HTY/H are designed to fast and precise determination of mass in industrial conditions. Scales enable cooperating with barcode scanners, receipt printers, label printers, RFID scanners and PC peripherals (mouse, keyboard, data storage device through USB port).

DESIGN AND FUNCTIONALITY

Multifunctional stainless steel scales series HTY/H comprise a terminal series PUE HY in stainless steel housing and a stainless steel weighing platform.

All types of HTY/H scales feature construction fully made of stainless steel OH18N9, stainless steel weighing platform and terminal featuring TFT 5,7" display in touch panel technology with membrane QWERTY keyboard and separate numeric and function keys. The scale can cooperate with an additional weighing platform.

Optionally, the HTY/C scale enables cooperating with an additional weighing platform, and additionally provides:

- programmable display and function keys,
- designing custom printouts,
- designing text data in display's window.

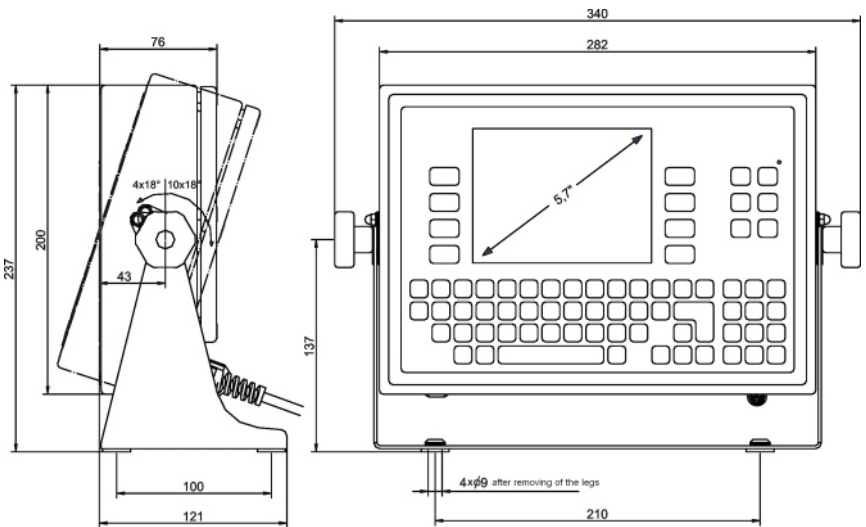
MODES:

- Weighing
- Labeling
- Summing function
- Checkweighing
- Counting pieces
- Percent setup
- Statistics

Multifunctional scales series HTY/C are offered with a terminal connected to the weighing platform with a cable.

Features of PUE HY terminal:

- Counting pieces in industrial systems,
- Labeling in industrial weighing systems,
- Simultaneous operation of maximally 4 weighing platforms - option,
- Intuitive operation through touch panel and dedicated QWERTY keyboard,
- Industrial interfaces: Profibus, RS485,
- Connection of terminals into network through Ethernet,
- Cooperation with external weighing module MW-01.



Technical data:

	HTY 3 H1/K	HTY 6 H2/K	HTY 15 H2/K	HTY 15 H3/K	HTY 30 H3/K	HTY 60 H3/K	HTY 150 H3/K
Max capacity	3 kg	6 kg	15 kg	15 kg	30 kg	60 kg	150 kg
Readability d = e	1 g	2 g	5 g	5 g	10 g	20 g	50 g
Tare range	-3 kg	-6 kg	-15 kg	-15 kg	-30 kg	-60 kg	-150 kg
Pan size	150 × 200 mm	250 × 300 mm		410 × 410 mm			
OIML Class	III						
Housing	Stainless steel						
Display	TFT 5,7" with touch panel						
IP rating	IP 68 - platform, IP 66/67 - indicator						
Operating temperature	-10° ÷ +40 °C						
Interfaces	RS 232, USB, Ethernet						
IN / OUT	3 IN / 3 OUT - slot						
Power supply	100 ÷ 240V AC 50÷60Hz						
Optionally power supply	10 ÷ 24V DC 2A						
Net weight / Gross weight	7 / 8,5 kg	10 / 11,5 kg		16 / 18 kg			
Packaging size	52 × 26 × 29 cm	58 × 32 × 36 cm		67 × 51 × 33 cm			

Technical data:

	HTY 60 H4/K	HTY 150 H4/K	HTY 60 H5/K	HTY 150 H5/K	HTY 300 H5/K	HTY 150 H6/K	HTY 300 H6/K
Max capacity	60 kg	150 kg	60 kg	150 kg	300 kg	150 kg	300 kg
Readability d = e	20 g	50 g	20 g	50 g	100 g	50 g	100 g
Tare range	-60 kg	-150 kg	-60 kg	-150 kg	-300 kg	-150 kg	-300 kg
Pan size	500 × 500 mm		600 × 600 mm			800 × 800 mm	
OIML Class	III						
Housing	Stainless steel						
Display	TFT 5,7" with touch panel						
IP rating	IP 68 - platform, IP 66/67 - indicator						
Operating temperature	-10° ÷ +40 °C						
Interfaces	RS 232, USB, Ethernet						
IN / OUT	3 IN / 3 OUT - slot						
Power supply	100 ÷ 240V AC 50÷60Hz						
Optionally power supply	10 ÷ 24V DC 2A						
Net weight / Gross weight	24 / 26 kg		30 / 33 kg			43 / 47 kg	
Packaging size	84 × 60 × 40 cm		84 × 70 × 40 cm			116 × 82 × 34 cm	

Technical data:

	HTY 1,5/3 H1/K	HTY 3/6 H2/K	HTY 6/15 H2/K	HTY 6/15 H3/K	HTY 15/30 H3/K	HTY 30/60 H3/K	HTY 60/150 H3/K
Max capacity	1,5 / 3 kg	3 / 6 kg	6 / 15 kg	6 / 15 kg	15 / 30 kg	60 kg	150 kg
Readability d = e	0,5 / 1 g	1 / 2 g	2 / 5 g	2 / 5 g	5 / 10 g	20 g	50 g
Tare range	-3 kg	-6 kg	-15 kg	-15 kg	-30 kg	-60 kg	-150 kg
Pan size	150×200 mm	250×300 mm		410×410 mm			
OIML Class	III						
Housing	Stainless steel						
Display	TFT 5,7" with touch panel						
IP rating	IP 68 - platform, IP 66/67 - indicator						
Operating temperature	-10° ÷ +40 °C						
Interfaces	RS 232, USB, Ethernet						
IN / OUT	3 IN / 3 OUT - slot						
Power supply	100 ÷ 240V AC 50÷60Hz						
Optionally power supply	10 ÷ 24V DC 2A						
Net weight / Gross weight	7 / 8,5 kg	10 / 11,5 kg		16 / 18 kg			
Packaging size	52 × 26 × 29 cm	58 × 32 × 36 cm		67 × 51 × 33 cm			

Technical data:

	HTY 30/60 H4/K	HTY 60/150 H4/K	HTY 30/60 H5/K	HTY 60/150 H5/K	HTY 150/300 H5/K	HTY 150/300 H6/K
Max capacity	30 / 60 kg	60 / 150 kg	30 / 60 kg	60 / 150 kg	150 / 300 kg	150 / 300 kg
Readability d = e	10 / 20 g	20 / 50 g	10 / 20 g	20 / 50 g	50 / 100 g	50 / 100 g
Tare range	-60 kg	-150 kg	-60 kg	-150 kg	-300 kg	-300 kg
Pan size	500 × 500 mm		600 × 600 mm			800 × 800 mm
OIML Class	III					
Housing	Stainless steel					
Display	TFT 5,7" with touch panel					
IP rating	IP 68 - platform, IP 66/67 - indicator					
Operating temperature	-10° ÷ +40 °C					
Interfaces	RS 232, USB, Ethernet					
IN / OUT	3 IN / 3 OUT - slot					
Power supply	100 ÷ 240V AC 50÷60Hz					
Optionally power supply	10 ÷ 24V DC 2A					
Net weight / Gross weight	24 / 26 kg		30 / 33 kg		43 / 47 kg	
Packaging size	84 × 60 × 40 cm		84 × 70 × 40 cm		116 × 82 × 34 cm	

Accessories:

Label printer Kafka	Bar Code Scanner
Dot matrix Epson printer	Cable RS 232 [scale - label printer "Kafka"]: PT0018
Label printer Citizen	Cable RS 232 [scale - printer "Epson"]: PT0019
TARE and PRINT button: PT0021	Cable RS 232 [scale - label printer "Citizen"]: PT0019
Transponder card scanner: CK-01	Cable Ethernet [scale - Ethernet]: P0198

MULTIFUNCTIONAL STAINLESS SCALES TMX/H



release date 11-04-2014



TMX/H Multifunctional Scales are manufactured either in standard version, designed for general purposes and equipped with E2R module, or extended versions as:

- TMX/E/H Labelling Scales
- TMX/D/H Dosing Scales
- TMX/R/H Formula Making Scales

TMX/H Multifunctional Scales comprise PUE 5 terminal and a weighing platform, both manufactured of stainless steel. Each scales together with the weighing pan is entirely made of OH18N9 stainless steel and it is equipped with the weighing terminal featuring a 15.6" panoramic touch screen, which operates at a resolution of 1366 x 768 pixels.

It is possible to order scales with PUE 5.19 terminal featuring 19" touch screen display operating at a resolution of 1280 x 1024 pixels.

- Parts counting
- Totalizing
- Filling
- Checkweighing
- Labeling
- Formulation

All the TMX series scales differ in the scope of functionality, wherein all the extended versions comprise functions typical of standard version.

All TMX scales cooperate with E2R SYSTEM related to the various phases of a weighing process.

TMX/H multifunctional scales are manufactured in a version wherein connection of a weighing platform and a terminal is possible only by means of a cable. The cable is:

- 1 meter long for H1 platforms,
- 2.5 meters long for H2 platforms.

The scales can cooperate with an additional weighing platform.

E2R SYSTEM is a modular system intended for companies that operate in food, meat, fish, sugar, chemical, and metallurgic industry. Its complex functionality ensures full support and automation of a given company production process. Due to the fact that the system operation is based on ETHERNET it may be extended with numerous weighing platforms. This PC software is useful for employees working on a production line and in a warehouse.

TMX scales may comprise the following modules: Terminal E2R Weighing Records, Terminal E2R Formulas and Terminal E2R Transactions.

Technical data:

	TMX 1,5/3/H1	TMX 3/6/H1	TMX 1,5/3/H2	TMX 3/6/H2	TMX 6/15/H2	TMX 15/30H2
	TMX/E 1,5/3/H1	TMX/E 3/6/H1	TMX/E 1,5/3/H2	TMX/E 3/6/H2	TMX/E 6/15/H2	TMX/E 15/30H2
	TMX/D 1,5/3/H1	TMX/D 3/6/H1	TMX/D 1,5/3/H2	TMX/D 3/6/H2	TMX/D 6/15/H2	TMX/D 15/30H2
	TMX/R 1,5/3/H1	TMX/R 3/6/H1	TMX/R 1,5/3/H2	TMX/R 3/6/H2	TMX/R 6/15/H2	TMX/R 15/30H2
	M	M	M	M	M	M
Max capacity	1,5 kg / 3 kg	3 kg / 6 kg	1,5 kg / 3 kg	3 kg / 6 kg	6 kg / 15 kg	15 kg / 30 kg
Min capacity	10 g	20 g	10 g	20 g	40 g	100 g
Readability	0,5 g / 1 g	1 g / 2 g	0,5 g / 1 g	1 g / 2 g	2 g / 5 g	5 g / 10 g
Tare range	-3 kg	-6 kg	-3 kg	-6 kg	-15 kg	-30 kg
Pan size	150×200 mm	150×200 mm	250×300 mm	250×300 mm	250×300 mm	250×300 mm
Working temperature	0° ÷ +40° C					
Atmospheric humidity	10÷85% RH no condensation					
IP rating	IP 68 - construction, IP 67 - indicator					
Interface	4×USB 2.0 (load carrying capacity 500mA), 2×RS 232C, 1×RS 485, 2×Ethernet					
Optional module	4 inputs / 4 outputs, additional 3 platform, Interface Profibus					
Power supply	100 ÷ 240 V AC 50÷60Hz					
Power consumption	45 W					
Display	Terminal PUE 5.15: LCD 15,6" (1366 x 768) infrared controled panel Terminal PU 5.19: LCD 19" (1280 x 1024) infrared controled panel					
Net weight / Gross weight	12,5 kg / 14,5 kg		12,5 kg / 14,5 kg			
Packaging dimensions - indicator	560×360×240 mm		560×360×240 mm			
Packaging dimensions - platform	520×260×290 mm		520×260×290 mm			

Formula making scales WPW/H:

The software of formula making scales series TMX - TERMINAL E2R FORMULA enables weighing of selected components according to production orders. Defining the formulas and production orders can be executed from a terminal or through the supervising software with possibility of declaring the tolerance limits for each component.

Functional Features:

- the availability of databases of goods, operators, contractors, warehouses, formulas, executed contracts, tares (packages), etc.
- scaling bulk being a part of a formula (weight factor of the recipe)
- the ability to set the tare mass of individual components during formulation process,
- declaration of the number of cycles for the given formula,
- the possibility of interruption a formula making process at any time,
- cooperation with external TARE, ENTER, START, STOP, FAILURE buttons
- the possibility of using up to 12 inputs / 12 outputs (opto-isolated)
- execution of production orders
- preview of the weighing records on a scale terminal as a table with weighing data or a table of orders,
- simplified reporting module allows the report to be generated by the set filters:
 - code or the name of the product,
 - code or the name of the operator,
 - code or the name of the contractor,
 - code or the name of the recipe,
 - date of weighing,
 - number of batches,
 - number of weight.
- the possibility of summing filtered data in a form of:
 - the sum of the masses of weighted component,
 - the number of measurements for a given component,
 - average of the measurements of weighted component,
 - minimum mass of weighted component,
 - maximum mass of weighted component,
- support for external devices:
 - receipt printers,
 - label printers,
 - bar code readers,
 - proximity card readers.

The ability to work with a computer program E2R.

Dosing scales TMX/H:

Metering scales are linked to an external automation system, including controls and regulations. These devices allow automatic, semi-automatic or manual dosing of loose materials and liquids.

Metering scales software dosing series TMX - TERMINAL E2R allows weighing the chosen components according to production orders. Defining formulas and production orders can be executed from a terminal or through the parent with the possibility of declaring the scope of tolerance for the component.

Functional Features:

- the availability of databases of goods, operators, contractors, magazines, recipes, executed contracts, etc.
- scaling bulk being a part of the recipe (weight factor of the recipe)
- the ability to set the tare mass of individual components in the dispensing process,
- declaration of the number of cycles for the given recipe,
- the possibility of interruption at any time in the process of dispensing,
- cooperation with external TARA, ENTER, START, STOP, FAILURE buttons
- the possibility of using up to 12 inputs / 12 outputs
- execution of production orders
- preview of the weights on a weight terminal as a table of weighings or a table of orders,
- simplified reporting module allows the report to be generated by the set filters:
 - code or the name of the product,
 - code or the name of the operator,
 - code or the name of the contractor,
 - code or the name of the recipe,
 - date of weighing,
 - number of batches,
 - number of weight.
- the possibility of filtered data in a form of summary:
 - the sum of the masses of weighted component,
 - the number of measurements for a given component,
 - average of the measurements of weighted component,
 - minimum mass of weighted component,
 - maximum mass of weighted component,
- support for external devices:
 - receipt printers,
 - label printers,
 - bar code readers,
 - proximity card readers.

The ability to work with a computer program E2R.

Labeling scales TMX/H:

Labeling scales consist of PUE 5 and weighing platform. The labels printer Citizen CLP 521, 621 or 7201e increases the functionality of scales.

Labeling system is used to print labels for marking weighted goods e.g. in the process of packing. The program can generate the standard labels for sticking single goods.

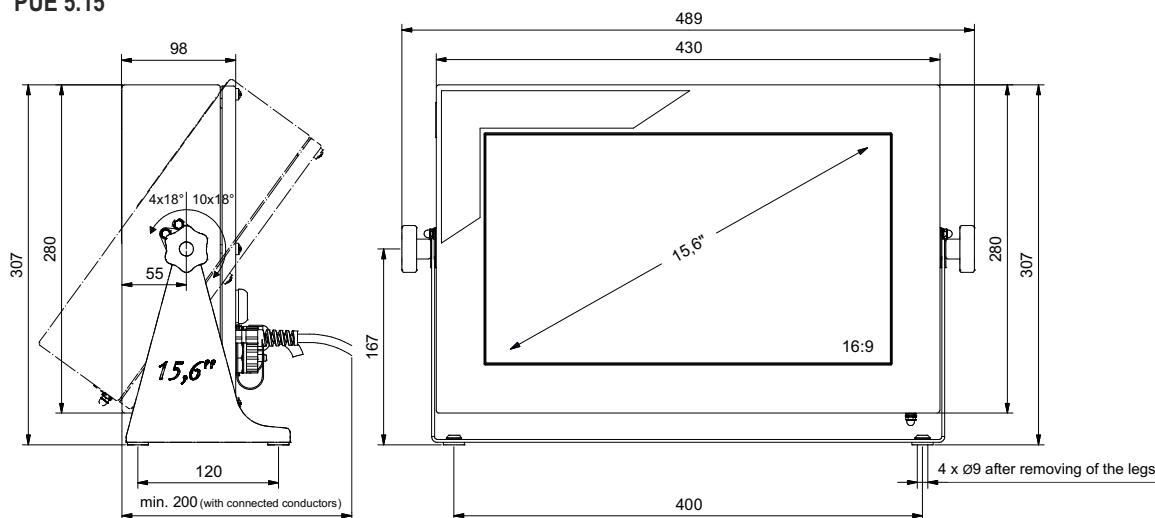
The functionality of the software:

- a function of weight control (weighing control + / -),
- previewing weighings carried out on weighing terminal as a table of weights,
- simplified reporting module allowing the report to be generated,
- the creation of labels' designs from labels weighing terminal,
- identification of goods by using the code ean-13 and ean-128,
- quick search using the range of barcode scanner,
- the availability of databases: the operators, goods, contractors, warehouses, etc.

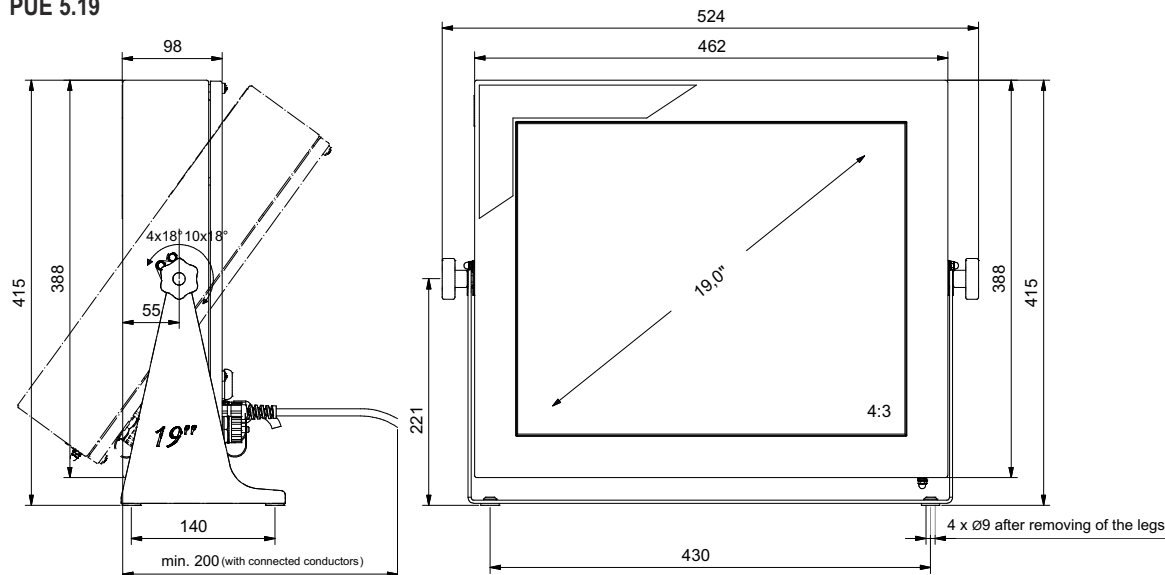
The application allows you to make measurements and at the same time to save them in a local database or on the server. Networked terminals allow transmission of the measurements to the parent database installed on the server. The ability to work with a computer program ACCOUNTING E2R.

Dimensions:

PUE 5.15



PUE 5.19



Accessories:

Epson, Zebra thermal printer	"Tare" and "Print" button
Epson impact printer	E2R Weighing records
Label printer Citizen	E2R Transactions
Bar Code Scanner	E2R Formulas
Transponder card reader: CK-01	Cable Ethernet (scale - ethernet) "PT0212"
Cable RS 232 (scale - computer) "PT0020"	USB converter "PT0084"
Cable RS 232 (scale, Epson, Citizen printer) "PT0019"	Cable USB (scale - Epson and Citizen printer) "PT0087"

RADWAG Balances & Scales

26-600 Radom • 28 Bracka Street • POLAND • Phone: +48 48 3848800 • Fax: +48 48 3850010 • www.radwag.com • e-mail:export@radwag.com

CONTROL SCALES WPW/T/H/FH

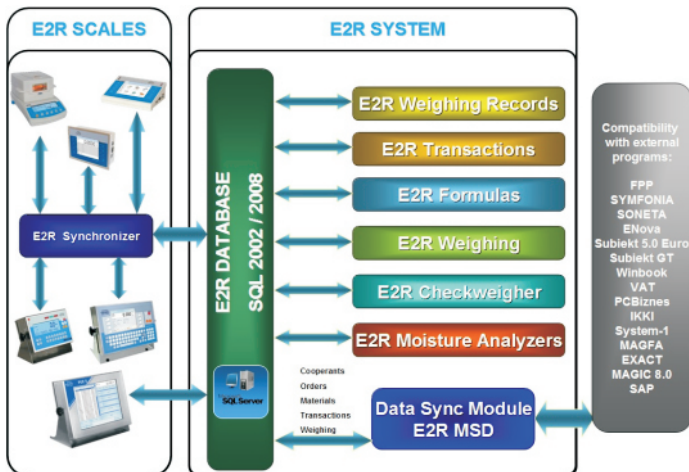


issue date 02-09-2011



E2R SYSTEM

Control scales series **WPW/T/H/FH** are designed for fast controlling mass of a product that is batched directly on manufacturing-filling technological line. The scale can operate as a separate weighing station, but its complete functionality is achieved by joining number of scales into a computer managed network supported by application **E2R System** offered by RADWAG. **WPW/T/H/FH** series is dedicated mainly for fish and meat processing plants, requiring fast and reliable measurements combined with scale's robust construction resistant to harsh ambient conditions of operation. Due to the specificity of major clients for whom scale series WPW/T/H/FH is dedicated, the instrument's construction is fully based on stainless steel components, with indicator's housing made of **0H18N9Z** steel featuring a clear LCD display. All connecting conductors and external wiring (power cord, conductor joining indicator and weighing platform, Ethernet-scale cable) are made of special wire with polyurethane isolation, a so called **PUR**. The **PUR** conductors are used in areas requiring high resistance to chemical agents, lubricants, oils and solvents. Application of signalization system enables immediate determining weighing range of a measured load. Such extended functionality shortens and speeds up product's batching and packaging process, and additionally improves efficiency of workers operating the technological line.



Instances of WPW/T/H/FH applications in industry *

* Racks for scales are not their standard equipment, and they are subject to individual valuation.

Technical data:

	WPW/T 1,5/H1/FH	WPW/T 3/H1/FH	WPW/T 6/H2/FH	WPW/T 15/H2/FH	WPW/T 15/H3/FH	WPW/T 30/H3/FH	WPW/T 60/H3/FH
Maximal capacity	1,5 kg	3 kg	6 kg	15 kg	15kg	30 kg	60 kg
Readability	0,5 g	1 g	2 g	5 g	5 g	10 g	20 g
Minimal mass	10 g	20 g	40 g	100 g	100 g	200 g	400 g
Tare range	-1,5 kg	-3 kg	-6 kg	-15 kg	-15 kg	-30 kg	-60 kg
Pan size	150×200 mm	150×200 mm	250×300 mm	250×300 mm	410×410 mm	410×410 mm	410×410 mm
OIML class	III						
Working temperature	-10° ÷ +40 °C						
Interfaces	RS 232, RS 485						
IP rating	IP 66/67						
Power supply	220 ÷ 240 V AC 50÷60 Hz						
Display	LCD						

MULTIFUNCTIONAL STAINLESS SCALES WPW/H



release date 15-03-2012



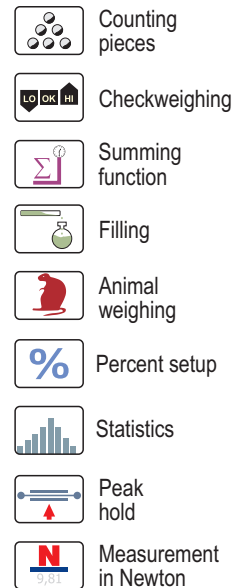
Multifunctional WPW/H scales are manufactured in standard version dedicated to general use, and in upgraded versions as:

- Counting scales **WPW/L/H** series
- Labeling scales **WPW/E/H** series
- Dosing scales **WPW/D/H** series
- Formula making scales **WPW/R/H** series

All types of scales are available with the same capacities, and they differ in functionality. Upgraded scale versions provide the functionality of a standard scale and dedicated option.

WPW multifunctional scales are available in two variants:

- Multifunctional single range scales (e.g. WPW 3 H1/K);
- Multifunctional dual range scales (e.g. WPW 1,5/3 H1/K).



Standard WPW/H scale:

Multifunctional WPW/H scale features a terminal PUE C41H with backlit LCD display and a single load cell mild steel and powder coated weighing platform. The standard WPW scale is available with maximum capacities from **3 kg to 300 kg**, and corresponding readability from **1g to 100 g**. The weighing platforms dedicated to the WPW series are models from **H1 (150×200mm) to H6 (800×800mm)**.

The terminal PUE C41H used in the WPW/H multifunctional scale enables cooperating with computer software "WPW EDITOR" and "LABEL EDITOR". The computer software communicates with the PUE C41H terminal through its interfaces: RS 232, RS 485 (baud rate from 2400 to 115200 bit/s) and ETHERNET.

Functionality:

- Cooperation with a single weighing platform
- Other measuring units [kg, lb, oz, ct, N, g]
- Definable access level
- Current updating of statistical data
- Saving up to 60 000 weighing records
- Filtering weighing results and reports from weighing
- Optional configuration of diodes operating mode
- Creating optional texts for printouts
- Implementing printout templates from weighing and reports
- Database of tares
- Manual or automatic tare
- Automatic scale shutdown

Scale enables cooperation with:

- WPW EDITOR computer software
- Receipt and label printers
- LABEL EDITOR computer software
- External PRINT-TARA-ZERO button
- Control panel: 3inputs / 3outputs
- Barcode scanner
- Transponder card scanner
- Additional modules (as additional equipment of PUE C41H):
 - analog module AN series
 - additional relays module
 - IN/OUT additional module
 - RS485 module
 - ETHERNET module

Counting scale WPW/L/H:

WPW/L/H scales are applied for counting details with equal unit mass, and connected to label printers, they enable printing labels for matching weighed goods. Extending system's functionality by the additional weighing module (optional) enables cooperating with an additional weighing platform. Such configuration allows for determining unit mass with maximal expected readability.

Additional functionality:

- parts counting mode
- basic weighing unit [psc]
- other weighing units [kg, lb, oz, ct, N, g]
- cooperation with additional platform

Labeling scale WPW/E/H:

WPW/E/H scales are applied for weighing applications featuring a label printer. The system is dedicated for labeling weighed goods, for instance in packaging process.

The software implemented in the PUE C41H terminal allows for generating:

- standard labels for matching single goods,
- cumulative (c) labels on completion of package weighing
- cumulative of cumulative (cc) labels on completion of batch weighing.

Dedicated Citizen label printers, available as additional equipment, increase system functionality.

Software functionality in labeling scales:

- Three modes of printing c and cc labels on labeling scales:
 - manually,
 - by label counter,
 - by set value of product mass;
- Setting the scale as a control scale (+/- weighing result control);
- Identification of products by barcodes EAN-13 and EAN-128;
- Databases of operators, products, materials, clients, weighing records, universal variables, tares.

Dosing scale WPW/D/H:

WPW/D/H scales as standard feature BARCHER/FORMULATION software combined with external automation systems, which consist of control and executive components. Such devices give option of automatic, semi-automatic or manual dosing of loose substances and liquids. Additionally, the software enables planning and preparing mixtures from formulation components (dosing output). The components have their nominal mass assigned, and they are batched by the scale in dosing process.

Functionality of software BATCHER:

- three dosing modes: manual operation, automatic operation and dosing on "-",
- setting time delay on switching between dosing thresholds,
- declaring time delay of process completion,
- setting OUTPUTS operation (one of three available modes) of user's dosing instruments,
- ceasing and/or aborting dosing process at optional moment,
- cooperation with external function keys TARE, ZERO, PRINT, START, STOP, HOLD, CHUTE, CHUTE START and optional configuration on inputs numbers assigned to a key,
- optional configuration of outputs numbers for functions: MIN, OK, MAX, STABLE, THRESHOLD 1, THRESHOLD 2, CHUTE,
- printing reports from weighing – report filtering by: start date, end date, operator code, product code, weighing type, weighing platform no., batch no.,
- databases of: operators, products, weighing records, universal variables, tares.

Formula making scale WPW/R/H:

Formula making scales WPW/R/H feature BARCHER/FORMULATION software combined with external automation systems, which consist of control and executive components. Such devices give option of automatic, semi-automatic or manual dosing of loose substances and liquids. Additionally, the software enables planning and preparing mixtures from formulation components (dosing output). The components have their nominal mass assigned, and they are batched by the scale in dosing process.

Functionality of software BATCHER / FORMULATION:

- rescaling mass of formula ingredients (multiplier of formula mass);
- setting tare mode of each ingredient during dosing or formula making process;
- setting the means of ingredient's mass acceptance after weighing (manual or automatic);
- declaring number of cycles for specific formula;
- hold and/or stop of formula or dosing process at optional stage of advancement;
- cooperation with external buttons: TARE, ZERO, PRINT, START, STOP, (START/STOP) CHUTE and random configuration of inputs assigned to the button;
- Free configuration of output numbers for the following functions; MIN, OK..., MAX, STABLE, CHUTE P1, CHUTE P2, WORK;
- Printing reports from dosing and formula making process;
- Databases of: operators, products, weighing records, universal variables, tares.

The software for WPW formula making scale features a default printout template for formulations, containing parameter on: report date and time, operator name, formulation name, formulation code, formulation mass, product name, product code, product mass, product settings, product deviation.

Technical data:

	WPW 3 H1/K	WPW 6 H2/K	WPW 15 H2/K	WPW 15 H3/K	WPW 30 H3/K
	WPW/L 3 H1/K	WPW/L 6 H2/K	WPW/L 15 H2/K	WPW/L 15 H3/K	WPW/L 30 H3/K
	WPW/E 3 H1/K	WPW/E 6 H2/K	WPW/E 15 H2/K	WPW/E 15 H3/K	WPW/E 30 H3/K
	WPW/D 3 H1/K	WPW/D 6 H2/K	WPW/D 15 H2/K	WPW/D 15 H3/K	WPW/D 30 H3/K
	WPW/R 3 H1/K	WPW/R 6 H2/K	WPW/R 15 H2/K	WPW/R 15 H3/K	WPW/R 30 H3/K
Max capacity	3 kg	6 kg	15 kg	15 kg	30 kg
Readability	1 g	2 g	5 g	5 g	10 g
Tare range	-3 kg	-6 kg	-15 kg	-15 kg	-30 kg
Pan size	150×200 mm	250×300 mm		410×410 mm	
Working temperature	-10° ÷ +40 °C				
Output signal	RS 232, RS 485				
IP rating	IP 65 - construction, IP 66/67 - indicator				
Power supply	230V AC 50Hz, rechargeable battery 6V 3Ah				
Display	LCD (backlit)				
Net weight / Gross weight	7,2/8,5 kg	9,2/10,5 kg		15,7/17,5 kg	
Packaging dimensions	520×260×290	580×320×360 mm		670×510×330 mm	

Technical data:

	WPW 60 H3/K	WPW 150 H3/K	WPW 60 H4/K	WPW 150 H4/K
	WPW/L 60 H3/K	WPW/L 150 H3/K	WPW/L 60 H4/K	WPW/L 150 H4/K
	WPW/E 60 H3/K	WPW/E 150 H3/K	WPW/E 60 H4/K	WPW/E 150 H4/K
	WPW/D 60 H3/K	WPW/D 150 H3/K	WPW/D 60 H4/K	WPW/D 150 H4/K
	WPW/R 60 H3/K	WPW/R 150 H3/K	WPW/R 60 H4/K	WPW/R 150 H4/K
Max capacity	60 kg	150 kg	60 kg	150 kg
Readability	20 g	50 g	20 g	50 g
Tare range	-60 kg	-150 kg	-60 kg	-150 kg
Pan size	410×410 mm		500×500 mm	
Working temperature	-10° ÷ +40 °C			
Output signal	RS 232, RS 485			
IP rating	IP 65 - construction, IP 66/67 - indicator			
Power supply	230V AC 50Hz, rechargeable battery 6V 3Ah			
Display	LCD (backlit)			
Net weight / Gross weight	15,7/17,5 kg		23,7/26 kg	
Packaging dimensions	670×510×330 mm		840×600×400 mm	

Technical data:

	WPW 60 H5/K	WPW 150 H5/K	WPW 300 H5/K	WPW 150 H6/K	WPW 300 H6/K
	WPW/L 60 H5/K	WPW/L 150 H5/K	WPW/L 300 H5/K	WPW/L 150 H6/K	WPW/L 300 H6/K
	WPW/E 60 H5/K	WPW/E 150 H5/K	WPW/E 300 H5/K	WPW/E 150 H6/K	WPW/E 300 H6/K
	WPW/D 60 H5/K	WPW/D 150 H5/K	WPW/D 300 H5/K	WPW/D 150 H6/K	WPW/D 300 H6/K
	WPW/R 60 H5/K	WPW/R 150 H5/K	WPW/R 300 H5/K	WPW/R 150 H6/K	WPW/R 300 H6/K
Max capacity	60 kg	150 kg	300 kg	150 kg	300 kg
Readability	20 g	50 g	100 g	50 g	100 g
Tare range	-60 kg	-150 kg	-300 kg	-150 kg	-300 kg
Pan size	600×600 mm			800×800 mm	
Working temperature	-10° ÷ +40 °C				
Output signal	RS 232, RS 485				
IP rating	IP 65 - construction, IP 66/67 - indicator				
Power supply	230V AC 50Hz, rechargeable battery 6V 3Ah				
Display	LCD (backlit)				
Net weight / Gross weight	29,7/32 kg			42,7/46 kg	
Packaging dimensions	840×700×400 mm			1160×820×340 mm	

MULTIFUNCTIONAL DUALRANGE SCALES WPW

Technical data:

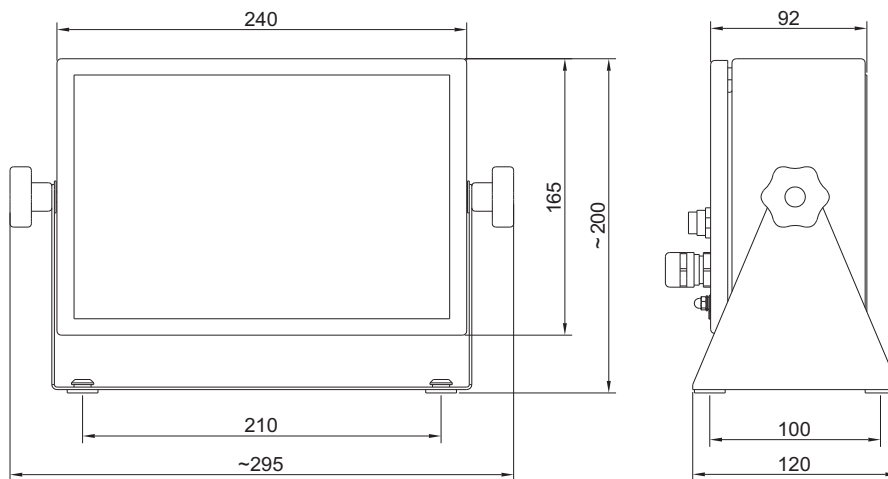
	WPW 1,5/3 H1/K	WPW 3/6 H2/K	WPW 6/15 H2/K	WPW 6/15 H3/K	WPW 15/30 H3/K
	WPW/L 1,5/3 H1/K	WPW/L 3/6 H2/K	WPW/L 6/15 H2/K	WPW/L 6/15 H3/K	WPW/L 15/30 H3/K
	WPW/E 1,5/3 H1/K	WPW/E 3/6 H2/K	WPW/E 6/15 H2/K	WPW/E 6/15 H3/K	WPW/E 15/30 H3/K
	WPW/D 1,5/3 H1/K	WPW/D 3/6 H2/K	WPW/D 6/15 H2/K	WPW/D 6/15 H3/K	WPW/D 15/30 H3/K
	WPW/R 1,5/3 H1/K	WPW/R 3/6 H2/K	WPW/R 6/15 H2/K	WPW/R 6/15 H3/K	WPW/R 15/30 H3/K
Max capacity	1,5/3 kg	3/6 kg	6/15 kg	6/15 kg	15/30 kg
Readability	0,5/1 g	1/2 g	2/5 g	2/5 g	5/10 g
Tare range	-3 kg	-6 kg	-15 kg	-15 kg	-30 kg
Pan size	150×200 mm	250×300 mm		410×410 mm	
Working temperature	-10° ± +40 °C				
Output signal	RS 232, RS 485				
IP rating	IP 65 - construction, IP 66/67 - indicator				
Power supply	230V AC 50Hz, rechargeable battery 6V 3Ah				
Display	LCD (backlit)				
Net weight / Gross weight	7,2/8,5 kg	9,2/10,5 kg		15,7/17,5 kg	
Packaging dimensions	520×260×290 mm	580×320×360 mm		670×510×330 mm	

Technical data:

	WPW 30/60 H3/K	WPW 60/150 H3/K	WPW 30/60 H4/K	WPW 60/150 H4/K
	WPW/L 30/60 H3/K	WPW/L 60/150 H3/K	WPW/L 30/60 H4/K	WPW/L 60/150 H4/K
	WPW/E 30/60 H3/K	WPW/E 60/150 H3/K	WPW/E 30/60 H4/K	WPW/E 60/150 H4/K
	WPW/D 30/60 H3/K	WPW/D 60/150 H3/K	WPW/D 30/60 H4/K	WPW/D 60/150 H4/K
	WPW/R 30/60 H3/K	WPW/R 60/150 H3/K	WPW/R 30/60 H4/K	WPW/R 60/150 H4/K
Max capacity	30/60 kg	60/150 kg	30/60 kg	60/150 kg
Readability	10/20 g	20/50 g	10/20 g	20/50 g
Tare range	-60 kg	-150 kg	-60 kg	-150 kg
Pan size	410×410 mm		500×500 mm	
Working temperature	-10° ± +40 °C			
Output signal	RS 232, RS 485			
IP rating	IP 65 - construction, IP 66/67 - indicator			
Power supply	230V AC 50Hz, rechargeable battery 6V 3Ah			
Display	LCD (backlit)			
Net weight / Gross weight	15,7/17,5 kg		23,7/26 kg	
Packaging dimensions	670×510×330 mm		840×600×400 mm	

Technical data:

	WPW 30/60 H5/K	WPW 60/150 H5/K	WPW 150/300 H5/K	WPW 150/300 H6/K
	WPW/L 30/60 H5/K	WPW/L 60/150 H5/K	WPW/L 150/300 H5/K	WPW/L 150/300 H6/K
	WPW/E 30/60 H5/K	WPW/E 60/150 H5/K	WPW/E 150/300 H5/K	WPW/E 150/300 H6/K
	WPW/D 30/60 H5/K	WPW/D 60/150 H5/K	WPW/D 150/300 H5/K	WPW/D 150/300 H6/K
	WPW/R 30/60 H5/K	WPW/R 60/150 H5/K	WPW/R 150/300 H5/K	WPW/R 150/300 H6/K
Max capacity	30/60 kg	60/150 kg	150/300 kg	150/300 kg
Readability	10/20 g	20/50 g	50/100 g	50/100 g
Tare range	-60 kg	-150 kg	-300 kg	-300 kg
Pan size	600×600 mm			800×800 mm
Working temperature	-10° ± +40 °C			
Output signal	RS 232, RS 485			
IP rating	IP 65 - construction, IP 66/67 - indicator			
Power supply	230V AC 50Hz, rechargeable battery 6V 3Ah			
Display	LCD (backlit)			
Net weight / Gross weight	29,7/32 kg			42,7/46 kg
Packaging dimensions	840×700×400 mm			1160×820×340 mm



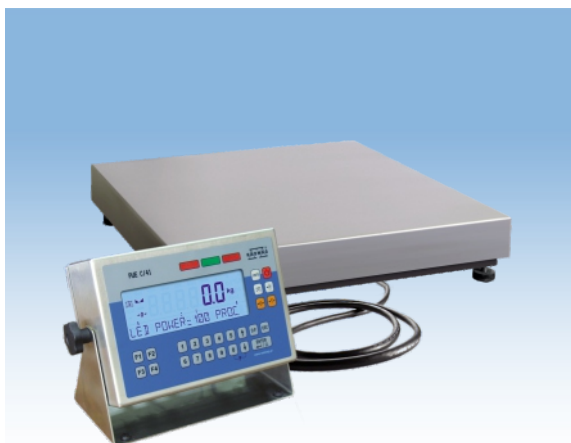
Accessories:

Antivibration table for industrial scales	Module WE8
"Kafka" thermal printer	Cable RS 232 [scale - Kafka printer]: Pt0018
"Epson" dot matrix printer	Cable RS 232 [scale - printer "Epson"]: PT0019
"Citizen" label printer	Cable RS 232 [scale - printer "Citizen"]: PT0019
External tare and print keys: PT0021	Cable RS 232 [scale - computer]: PT0020
Tansponder card reader: CK-01	Cable [scale - Ethernet]: P0198
Barcode scanner	Large LCD display WWG-2 (digit height 4,5")
"PW-WIN" computer software	"RAD-KEY" computer software

MULTIFUNCTIONAL SCALES WPW



release date 25-04-2012



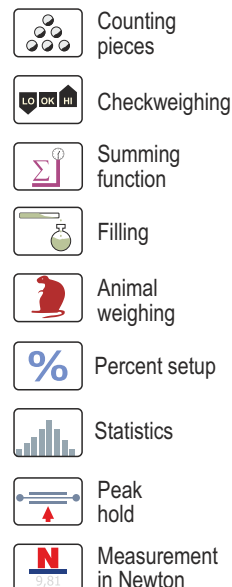
Multifunctional WPW scales are manufactured in standard version dedicated to general use, and in upgraded versions as:

- Counting scales **WPW/L** series
- Labeling scales **WPW/E** series
- Dosing scales **WPW/D** series
- Formula making scales **WPW/R** series

All types of scales are available with the same capacities, and they differ in functionality. Upgraded scale versions provide the functionality of a standard scale and dedicated option.

WPW multifunctional scales are available in two variants:

- Multifunctional single range scales (e.g. WPW 6 C1/K);
- Multifunctional dual range scales (e.g. WPW 3/6 C1/K).



Standard WPW scale:

Multifunctional WPW scale features a terminal PUE C41H with backlit LCD display and a single load cell mild steel and powder coated weighing platform. The standard WPW scale is available with maximum capacities from **6 kg to 300 kg**, and corresponding readability from **2g to 100 g**. The weighing platforms dedicated to the WPW series are models from **C1 (290×360mm) to C3 (500×700mm)**.

The terminal PUE C41H used in the WPW multifunctional scale enables cooperating with computer software "WPW EDITOR" and "LABEL EDITOR". The computer software communicates with the PUE C41H terminal through its interfaces: RS 232, RS 485 (baud rate from 2400 to 115200 bit/s) and ETHERNET.

Functionality:

- Cooperation with a single weighing platform
- Other measuring units [kg, lb, oz, ct, N, g]
- Definable access level
- Current updating of statistical data
- Saving up to 60 000 weighing records
- Filtering weighing results and reports from weighing
- Optional configuration of diodes operating mode
- Creating optional texts for printouts
- Implementing printout templates from weighing and reports
- Database of tares
- Manual or automatic tare
- Automatic scale shutdown

Scale enables cooperation with:

- WPW EDITOR computer software
- Receipt and label printers
- LABEL EDITOR computer software
- External PRINT-TARA-ZERO button
- Control panel: 3inputs / 3outputs
- Barcode scanner
- Transponder card scanner
- Additional modules (as additional equipment of PUE C41H):
 - analog module AN series
 - additional relays module
 - IN/OUT additional module
 - RS485 module
 - ETHERNET module

Counting scale WPW/L:

WPW/L scales are applied for counting details with equal unit mass, and connected to label printers, they enable printing labels for matching weighed goods. Extending system's functionality by the additional weighing module (optional) enables cooperating with an additional weighing platform. Such configuration allows for determining unit mass with maximal expected readability.

Additional functionality:

- parts counting mode
- basic weighing unit [psc]
- other weighing units [kg, lb, oz, ct, N, g]
- cooperation with additional platform

Labeling scale WPW/E:

WPW/E scales are applied for weighing applications featuring a label printer. The system is dedicated for labeling weighed goods, for instance in packaging process.

The software implemented in the PUE C41H terminal allows for generating:

- standard labels for matching single goods,
- cumulative (c) labels on completion of package weighing
- cumulative of cumulative (cc) labels on completion of batch weighing.

Dedicated Citizen label printers, available as additional equipment, increase system functionality.

Software functionality in labeling scales:

- Three modes of printing c and cc labels on labeling scales:
 - manually,
 - by label counter,
 - by set value of product mass;
- Setting the scale as a control scale (+/- weighing result control);
- Identification of products by barcodes EAN-13 and EAN-128;
- Databases of operators, products, materials, clients, weighing records, universal variables, tares.

Dosing scale WPW/D:

WPW/D scales as standard feature BARCHER/FORMULATION software combined with external automation systems, which consist of control and executive components. Such devices give option of automatic, semi-automatic or manual dosing of loose substances and liquids. Additionally, the software enables planning and preparing mixtures from formulation components (dosing output). The components have their nominal mass assigned, and they are batched by the scale in dosing process.

Functionality of software BATCHER:

- three dosing modes: manual operation, automatic operation and dosing on "-",
- setting time delay on switching between dosing thresholds,
- declaring time delay of process completion,
- setting OUTPUTS operation (one of three available modes) of user's dosing instruments,
- ceasing and/or aborting dosing process at optional moment,
- cooperation with external function keys TARE, ZERO, PRINT, START, STOP, HOLD, CHUTE, CHUTE START and optional configuration on inputs numbers assigned to a key,
- optional configuration of outputs numbers for functions: MIN, OK, MAX, STABLE, THRESHOLD 1, THRESHOLD 2, CHUTE,
- printing reports from weighing – report filtering by: start date, end date, operator code, product code, weighing type, weighing platform no., batch no.,
- databases of: operators, products, weighing records, universal variables, tares.

Formula making scale WPW/R:

Formula making scales WPW/R feature BARCHER/FORMULATION software combined with external automation systems, which consist of control and executive components. Such devices give option of automatic, semi-automatic or manual dosing of loose substances and liquids. Additionally, the software enables planning and preparing mixtures from formulation components (dosing output). The components have their nominal mass assigned, and they are batched by the scale in dosing process.

Functionality of software BATCHER / FORMULATION:

- rescaling mass of formula ingredients (multiplier of formula mass);
- setting tare mode of each ingredient during dosing or formula making process;
- setting the means of ingredient's mass acceptance after weighing (manual or automatic);
- declaring number of cycles for specific formula;
- hold and/or stop of formula or dosing process at optional stage of advancement;
- cooperation with external buttons: TARE, ZERO, PRINT, START, STOP, (START/STOP) CHUTE and random configuration of inputs assigned to the button;
- Free configuration of output numbers for the following functions; MIN, OK..., MAX, STABLE, CHUTE P1, CHUTE P2, WORK;
- Printing reports from dosing and formula making process;
- Databases of: operators, products, weighing records, universal variables, tares.

The software for WPW formula making scale features a default printout template for formulations, containing parameter on: report date and time, operator name, formulation name, formulation code, formulation mass, product name, product code, product mass, product settings, product deviation.

Technical data:

	WPW 6 C1/K	WPW 15 C1/K	WPW 30 C1/K	WPW 30 C2/K	WPW 60 C2/K
	WPW/L 6 C1/K	WPW/L 15 C1/K	WPW/L 30 C1/K	WPW/L 30 C2/K	WPW/L 60 C2/K
	WPW/E 6 C1/K	WPW/E 15 C1/K	WPW/E 30 C1/K	WPW/E 30 C2/K	WPW/E 60 C2/K
	WPW/D 6 C1/K	WPW/D 15 C1/K	WPW/D 30 C1/K	WPW/D 30 C2/K	WPW/D 60 C2/K
	WPW/R 6 C1/K	WPW/R 15 C1/K	WPW/R 30 C1/K	WPW/R 30 C2/K	WPW/R 60 C2/K
Max capacity	6 kg	15 kg	30 kg	30 kg	60 kg
Readability	2 g	5 g	10 g	10 g	20 g
Tare range	-6 kg	-15 kg	-30 kg	-30 kg	-60 kg
Pan size	290×350 mm			400×500 mm	
Working temperature	-10° ± +40 °C				
Output signal	RS 232, RS 485				
IP rating	IP 65 - construction, IP 66/67 - indicator				
Power supply	230V AC 50Hz, rechargeable battery 6V 3Ah				
Display	LCD (backlit)				
Net weight / Gross weight	9,7 / 11 kg			18,7 / 21 kg	
Packaging dimensions	550×420×220 mm			720×580×220 mm	

Technical data:

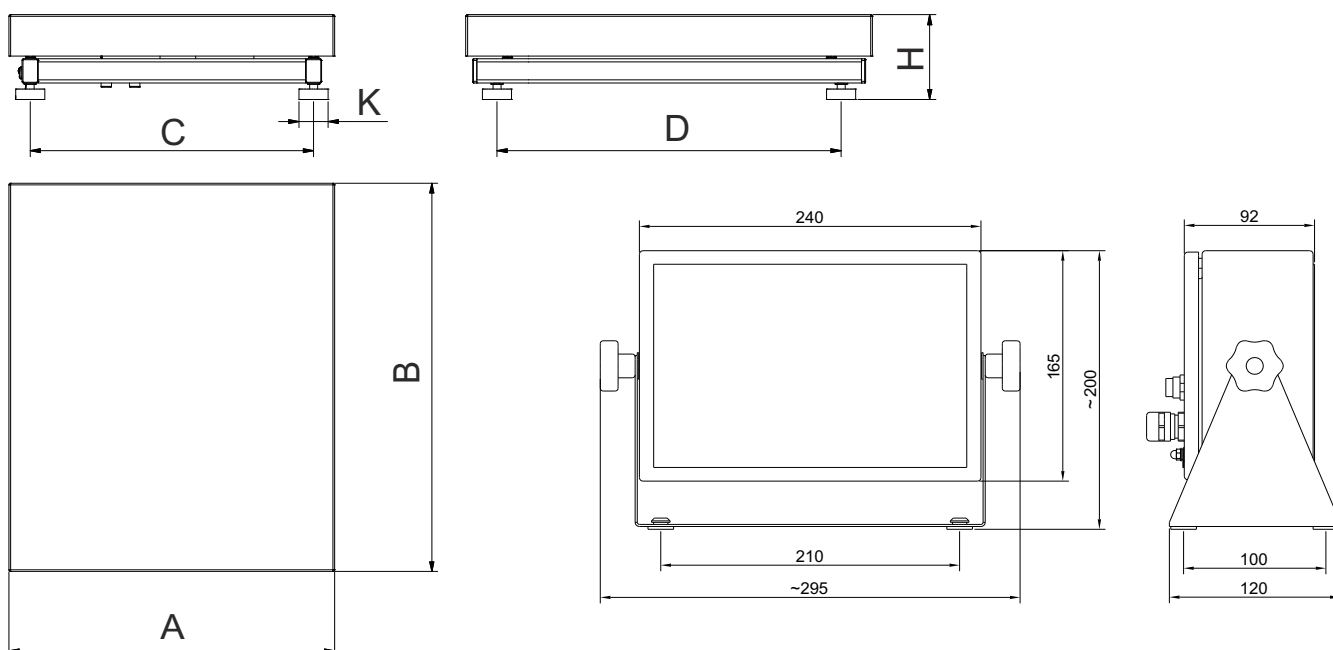
	WPW 150 C2/K	WPW 300 C2/K	WPW 150 C3/K	WPW 300 C3/K
	WPW/L 150 C2/K	WPW/L 300 C2/K	WPW/L 150 C3/K	WPW/L 300 C3/K
	WPW/E 150 C2/K	WPW/E 300 C2/K	WPW/E 150 C3/K	WPW/E 300 C3/K
	WPW/D 150 C2/K	WPW/D 300 C2/K	WPW/D 150 C3/K	WPW/D 300 C3/K
	WPW/R 150 C2/K	WPW/R 300 C2/K	WPW/R 150 C3/K	WPW/R 300 C3/K
Max capacity	150 kg	300 kg	150 kg	300 kg
Readability	50 g	100 g	50 g	100 g
Tare range	-150 kg	-300 kg	-150 kg	-300 kg
Pan size	400×500 mm		500×700 mm	
Working temperature	-10° ± +40 °C			
Output signal	RS 232, RS 485			
IP rating	IP 65 - construction, IP 66/67 - indicator			
Power supply	230V AC 50Hz, rechargeable battery 6V 3Ah			
Display	LCD (backlit)			
Net weight / Gross weight	18,7/21 kg		23,7/30 kg	
Packaging dimensions	720×580×220 mm		820×640×260 mm	

MULTIFUNCTIONAL DUALRANGE SCALES WPW**Technical data:**

	WPW 3/6 C1/K	WPW 6/15 C1/K	WPW 15/30 C1/K
	WPW/L 3/6 C1/K	WPW/L 6/15 C1/K	WPW/L 15/30 C1/K
	WPW/E 3/6 C1/K	WPW/E 6/15 C1/K	WPW/E 15/30 C1/K
	WPW/D 3/6 C1/K	WPW/D 6/15 C1/K	WPW/D 15/30 C1/K
	WPW/R 3/6 C1/K	WPW/R 6/15 C1/K	WPW/R 15/30 C1/K
Max capacity	3/6 kg	6/15 kg	15/30 kg
Readability	1/2 g	2/5 g	5/10 g
Tare range	-6 kg	-15 kg	-30 kg
Pan size	290×350 mm		
Working temperature	-10° ± +40 °C		
Output signal	RS 232, RS 485		
IP rating	IP 65 - construction, IP 66/67 - indicator		
Power supply	230V AC 50Hz, rechargeable battery 6V 3Ah		
Display	LCD (backlit)		
Net weight / Gross weight	9,7/11 kg		
Packaging dimensions	550×420×220 mm		

Technical data:

	WPW 15/30 C2/K	WPW 30/60 C2/K	WPW 60/150 C2/K	WPW 150/300 C2/K
	WPW/L 15/30 C2/K	WPW/L 30/60 C2/K	WPW/L 60/150 C2/K	WPW/L 150/300 C2/K
	WPW/E 15/30 C2/K	WPW/E 30/60 C2/K	WPW/E 60/150 C2/K	WPW/L 150/300 C2/K
	WPW/D 15/30 C2/K	WPW/D 30/60 C2/K	WPW/D 60/150 C2/K	WPW/L 150/300 C2/K
	WPW/R 15/30 C2/K	WPW/R 30/60 C2/K	WPW/R 60/150 C2/K	WPW/L 150/300 C2/K
Max capacity	15/30 kg	30/60 kg	60/150 kg	150/300 kg
Readability	5/10 g	10/20 g	20/50 g	50/100 g
Tare range	-30 kg	-60 kg	-150 kg	-300 kg
Pan size	400×500 mm			
Working temperature	-10° ÷ +40 °C			
Output signal	RS 232, RS 485			
IP rating	IP 65 - construction, IP 66/67 - indicator			
Power supply	230V AC 50Hz, rechargeable battery 6V 3Ah			
Display	LCD (backlit)			
Net weight / Gross weight	18,7/21 kg			
Packaging dimensions	720×580×220 mm			



Name	A [mm]	B [mm]	C [mm]	D [mm]	H [mm]	K [mm]
WPW ... C1/K	351	295	314	230	87±2	Ø 36
WPW ... C2/K	402	502	350	425	105±5	Ø 36

Accessories:

Antivibration table for industrial scales	Module WE8
"Kafka" thermal printer	Cable RS 232 [scale - Kafka printer]: Pt0018
"Epson" dot matrix printer	Cable RS 232 [scale - printer "Epson"]:- PT0019
"Citizen" label printer	Cable RS 232 [scale - printer "Citizen"]:- PT0019
External tare and print keys: PT0021	Cable RS 232 [scale - computer]: PT0020
Tansponder card reader: CK-01	Cable [scale - Ethernet]: P0198
Barcode scanner	Large LCD display WWG-2 (digit height 4,5")
"PW-WIN" computer software	"RAD-KEY" computer software

WATERPROOF PLATFORM SCALES WPT/HR



release date 01-07-2010



Stainless steel structure made of steel class AISI 316, IP 68
Load cell - stainless steel, IP 68

Waterproof platform scales series WPT/HR are designed for operation in locations with high humidity or direct contact with water. The scales can be used in places with no access to power supply from mains, as they feature internal rechargeable accumulator type SLA 6V/3,4Ah.

Single load cell stainless steel platform scale series WPT HR is based on indicator series PUE C/31H. It is equipped with large backlit LCD display (6 digits), installed on a pillar for easy readout of measurement result. The indicator comprises 5 functional keys providing easy operation. Optionally, the scale is offered with indicator installed on a 3 meter cable for mounting it on wall. **The weighing platform structure is made of stainless steel class AISI 316 with stainless steel load cell installed in it. IP rating of the load cell is 68.** The scale features RS 232 interface, and optionally an additional display socket. The scale is powered from mains (230VAC 50Hz) or internal rechargeable accumulator (SLA 6V/3,4Ah). Optionally, the scale can be powered from mains - 110÷120VAC 60Hz (non-standard factory option).

- Counting pieces
- Checkweighing
- Summing function

Functions:

- Filter setting,
- Auto zero function,
- Baud rate setting,
- Continuous transmission through RS 232,
- Automatic operation through RS 232,
- Printout design for individual customer needs,
- Declaring data for printout (stable / unstable),
- Determination of minimal mass for functioning,
- Counting pieces,
- +/- control with set reference mass,
- Percent deviation from set reference mass,
- Maximal indication hold,
- Automatic tare,
- Tare memory on device restart,
- Memory of 10 tares,
- Manual tare insertion,
- Time defined scale switch off,
- Summing function,
- Animal weighing.

Dane techniczne:

	WPT 3HR2	WPT 6HR2	WPT 15HR2	WPT 15HR3	WPT 30HR3
	WPT 3HR2/K	WPT 6HR2/K	WPT 15HR2/K	WPT 15HR3/K	WPT 30HR3/K
Max capacity	3 kg	6 kg	15 kg	15 kg	30 kg
Minimal load	20 g	40 g	100 g	100 g	200 g
Readability	1 g	2 g	5 g	5 g	10 g
Verifying unit	1 g	2 g	5 g	5 g	10 g
Tare range	-3 kg	-6 kg	-15 kg	-15 kg	-30 kg
OIML class	III				
Pan size	250×300 mm			410×410 mm	
Working temperature	-10° - +40 °C				
Storage temperature	-25° - +70 °C				
IP rating	IP 68 - construction, IP 68 - load cell, IP 66/67 - indicator				
Output signal	RS 232				
Power supply	220÷240VAC 50Hz (optional 110÷120VAC 60Hz) oraz SLA 6V/3,4Ah				
Operation time on batteries	45 hours (average period of time)				
Display	LCD (backlit)				
Net weight / Gross weight	9/10,3 kg			15,5/17,3 kg	
Packaging dimensions	580×320×360 mm			670×510×330 mm	

Technical data:

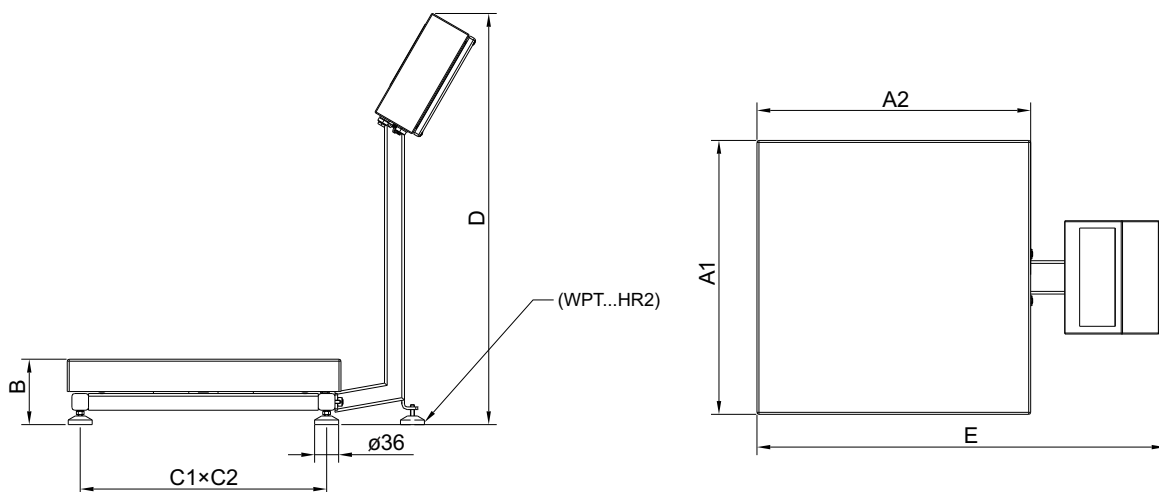
	WPT 60HR3	WPT 150HR3	WPT 60HR4	WPT150HR4	WPT 60HR5	WPT 150HR5
	WPT 60HR3/K	WPT 150HR3/K	WPT 60HR4/K	WPT150HR4/K	WPT 60HR5/K	WPT 150HR5/K
Max capacity	60 kg	150 kg	60 kg	150 kg	60 kg	150 kg
Minimal load	400 g	1000 g	400 g	1000 g	400 g	1000 g
Readability	20 g	50 g	20 g	50 g	20 g	50 g
Verifying unit	20 g	50 g	20 g	50 g	20 g	50 g
Tare range	-60 kg	-150 kg	-60 kg	-150 kg	-60 kg	-150 kg
OIML class	III					
Pan size	410×410 mm		500×500 mm		600×600 mm	
Working temperature	-10° - +40 °C					
Storage temperature	-25° - +70 °C					
IP rating	IP 68 - construction, IP 68 - load cell, IP 66/67 - indicator					
Output signal	RS 232					
Power supply	220±240VAC 50Hz (optional 110±120VAC 60Hz) SLA 6V/3,4Ah					
Operation time on batteries	45 hours (average period of time)					
Display	LCD (backlit)					
Net weight / Gross weight	15,5/17,3 kg		23,5/25,8 kg		29,5/31,8 kg	
Packaging dimensions	670×510×330 mm		840×600×400 mm		840×700×400 mm	

Technical data:

	WPT 3/6HR2	WPT 6/15HR2	WPT 15/30HR3	WPT 30/60HR3	WPT 60/150HR3
	WPT 3/6HR2/K	WPT 6/15HR2/K	WPT 15/30HR3/K	WPT 30/60HR3/K	WPT 60/150HR3/K
Max capacity	3/6 kg	6/15 kg	15/30 kg	30/60 kg	60/150 kg
Minimal load	20/40 g	40 g	100 g	200/400 g	400/1000 g
Readability	1/2 g	2/5 g	5/10 g	10/20 g	20/50 g
Verifying unit	1/2 g	2/5 g	5/10 g	10/20 g	20/50 g
Tare range	-6 kg	-15 kg	-30 kg	-60 kg	-150 kg
OIML class	III				
Pan size	250×300 mm		410×410 mm		
Working temperature	-10° - +40 °C				
Storage temperature	-25° - +70 °C				
IP rating	IP 68 - construction, IP 68 - load cell, IP 66/67 - indicator				
Output signal	RS 232				
Power supply	220±240VAC 50Hz (optional 110±120VAC 60Hz) and SLA 6V/3,4Ah				
Operation time on batteries	45 hours (average period of time)				
Display	LCD (backlit)				
Net weight / Gross weight	9/10,3 kg		15,5/17,3 kg		
Packaging dimensions	580×320×360 mm		670×510×330 mm		

Technical data:

	WPT 30/60HR4	WPT 60/150HR4	WPT 30/60HR5	WPT 60/150HR5
	WPT 30/60HR4/K	WPT 60/150HR4/K	WPT 30/60HR5/K	WPT 60/150HR5/K
Max capacity	30/60 kg	60/150 kg	30/60 kg	60/150 kg
Minimal load	200/400 g	400/1000 g	200/400 g	400/1000 g
Readability	10/20 g	20/50 g	10/20 g	20/50 g
Verifying unit	10/20 g	20/50 g	10/20 g	20/50 g
Tare range	-60 kg	-150 kg	-60 kg	-150 kg
OIML class	III			
Pan size	500×500 mm		600×600 mm	
Working temperature	-10° - +40 °C			
Storage temperature	-25° - +70 °C			
IP rating	IP 68 - construction, IP 68 - load cell, IP 66/67 - indicator			
Output signal	RS 232			
Power supply	220±240VAC 50Hz (optional 110±120VAC 60Hz) and SLA 6V/3,4Ah			
Operation time on batteries	45 hours (average period of time)			
Display	LCD (backlit)			
Net weight / Gross weight	23,5/25,8 kg		29,5/31,8 kg	
Packaging dimensions	840×600×400 mm		840×700×400 mm	



	A1	A2	B	C1	C2	D	E
WPT...H2	246	306	103 ± 3	268	208	~535	~485
WPT...H2/K	246	306	103 ± 3	268	208	-	-
WPT...H3	411	411	98 ± 2	370	370	~617	~613
WPT...H3/K	411	411	98 ± 2	370	370	-	-
WPT...H4	500	500	155 ± 5	400	400	~790	~718
WPT...H4/K	500	500	155 ± 5	400	400	-	-
WPT...H5	600	600	155 ± 5	500	500	~790	~818
WPT...H5/K	600	600	155 ± 5	500	500	-	-

Additional equipment:

Anti-vibration table for industrial scales	External power output AP-2-2 (stainless steel version)
Table for scales	RS 232 / Ethernet converter KR-04-2 (stainless steel version)
Kafka thermal printer	Stand for indicator PUE C31
Epson impact printer	Roller conveyors and conveyor sets
Anti-dust case for Epson printer	RS 232 cable: scale - thermal printer: P0253
PW-WIN computer software	RS 232 cable: scale - "Epson/Citizen" printer: P0261
RAD-KEY computer software	RS 232 cable: scale - computer: P0259
LCD display in stainless steel housing WD-4/3	Cable for plugging to car lighter 12V: K0042

WATERPROOF PLATFORM SCALES



release date 02-01-2014



Waterproof platform scales are designed to operate in humid conditions and direct contact with water.

The WPT/H series features LCD display and stainless steel weighing platform. All the elements of scale construction are made of stainless steel OH18N9.

The indicator PUE C/31H series is installed on a pillar. Optionally, the head is installed on a 3 meter-long cable for hanging it on a wall.

The WPT/H series is available with max capacity from 3 kg / 1 g to 300 kg / 100 g.

Scales WPT/H series are powered from mains, and RS 232 slot is available as standard.

On client request, the waterproof platform scales can be manufactured with upgraded antirust coating.

- Parts counting
- Checkweighing
- Totalizing



Waterproof scales feature 100 % waterproof protection of the load cell. Such design protects the load cells against the influence of ambient factors.

Technical data:

	WPT 6H2	WPT 15H2	WPT 15H3	WPT 30H3	WPT 60H3	WPT 150H3
	WPT 6H2/K	WPT 15H2/K	WPT 15H3/K	WPT 30H3/K	WPT 60H3/K	WPT 150H3/K
Max capacity	6 kg	15 kg	15 kg	30 kg	60 kg	150 kg
Readability	2 g	5 g	5 g	10 g	20 g	50 g
Tare range	-6 kg	-15 kg	-15 kg	-30 kg	-60 kg	-150 kg
Pan size	250×300 mm		410×410 mm			
Working temperature	-10° - +40 °C					
Output signal	RS 232					
IP rating	IP 67 - construction, IP 66/67 - indicator					
Power supply	230V AC, 50Hz / 11V AC and internal accumulator					
Operation time on accumulators	~45 h					
Display	LCD (backlit)					
Net weight / Gross weight	9/10,3 kg			15,5/17,3 kg		
Packaging size	580×320×360 mm			670×510×330 mm		

Technical data:

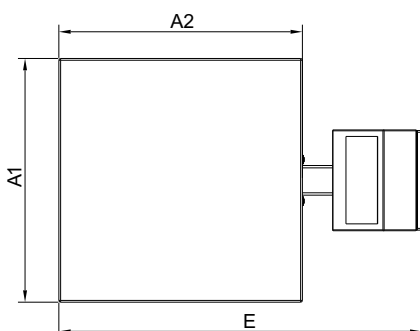
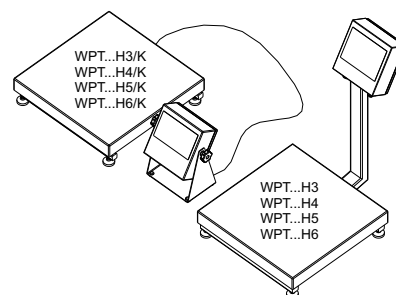
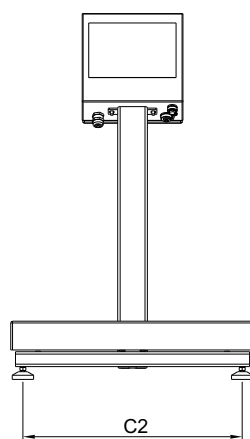
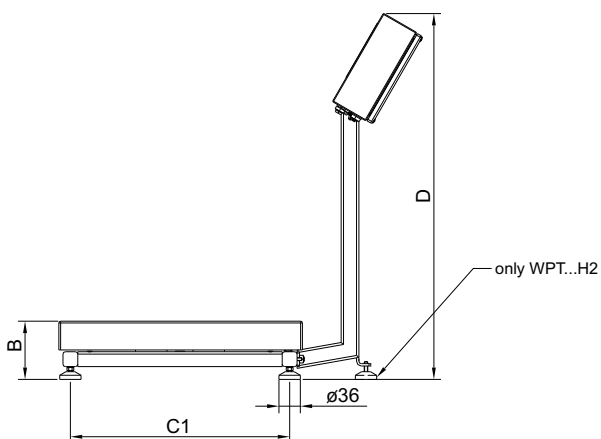
	WPT 60H4	WPT150H4	WPT 60H5	WPT 150H5	WPT 300H5	WPT 150H6	WPT 300H6
	WPT 60H4/K	WPT150H4/K	WPT 60H5/K	WPT 150H5/K	WPT 300H5/K	WPT 150H6/K	WPT 300H6/K
Max capacity	60 kg	150 kg	60 kg	150 kg	300 kg	150 kg	300 kg
Readability	20 g	50 g	20 g	50 g	100 g	50 g	100 g
Tare range	-60 kg	-150 kg	-60 kg	-150 kg	-300 kg	-150 kg	-300 kg
Pan size	500×500 mm		600×600 mm		800×800 mm		
Working temperature	-10° - +40 °C						
Output signal	RS 232						
IP rating	IP 67 - construction, IP 66/67 - indicator						
Power supply	230V AC, 50Hz / 11V AC and internal accumulator						
Operation time on accumulators	~45 h						
Display	LCD (backlit)						
Net weight / Gross weight	23,5/25,8 kg			29,5/31,8 kg		42,5/45,8 kg	
Packaging size	840×600×400 mm			840×700×400 mm		1160×820×340 mm	

Technical data:

	WPT 3/6H2	WPT 6/15H2	WPT 6/15H3	WPT 15/30H3	WPT 30/60H3	WPT 60/150H3
	WPT 3/6H2/K	WPT 6/15H2/K	WPT 6/15H3/K	WPT 15/30H3/K	WPT 30/60H3/K	WPT 60/150H3/K
Max capacity	3/6 kg	6/15 kg	6/15 kg	15/30 kg	30/60 kg	60/150 kg
Readability	1/2 g	2/5 g	2/5 g	5/10 g	10/20 g	20/50 g
Tare range	-6 kg	-15 kg	-15 kg	-30 kg	-60 kg	-150 kg
Pan size	250×300 mm		410×410 mm			
Working temperature	-10° - +40 °C					
Output signal	RS 232					
IP rating	IP 67 - construction, IP 66/67 - indicator					
Power supply	230V AC, 50Hz / 11V AC and internal accumulator					
Operation time on accumulators	~45 h					
Display	LCD (backlit)					
Net weight / Gross weight	9/10,3 kg			15,5/17,3 kg		
Packaging size	580×320×360 mm			670×510×330 mm		

Technical data:

	WPT 30/60H4	WPT 60/150H4	WPT 30/60H5	WPT 60/150H5	WPT 150/300H5	WPT 150/300H6
	WPT 30/60H4/K	WPT 60/150H4/K	WPT 30/60H5/K	WPT 60/150H5/K	WPT 150/300H5/K	WPT 150/300H6/K
Max capacity	30/60 kg	60/150 kg	30/60 kg	60/150 kg	150/300 kg	150/300 kg
Readability	10/20 g	20/50 g	10/20 g	20/50 g	50/100 g	50/100 g
Tare range	-60 kg	-150 kg	-60 kg	-150 kg	-300 kg	-300 kg
Pan size	500×500 mm		600×600 mm			800×800 mm
Working temperature	-10° - +40 °C					
Output signal	RS 232					
IP rating	IP 67 - construction, IP 66/67 - indicator					
Power supply	230V AC, 50Hz / 11V AC and internal accumulator					
Operation time on accumulators	~45 h					
Display	LCD (backlit)					
Net weight / Gross weight	23,5/25,8 kg		29,5/31,8 kg			42,5/45,8 kg
Packaging size	840×600×400 mm		840×700×400 mm			1160×820×340 mm

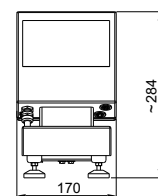
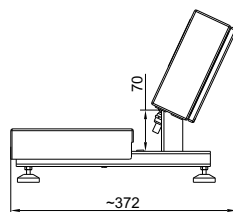
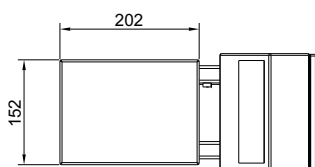
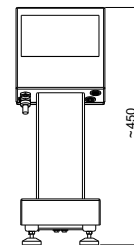
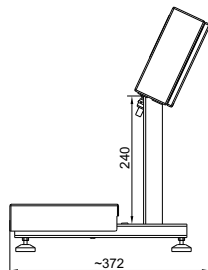


	A1	A2	B	C1	C2	D	E
WPT...H2	246	306	103 ± 3	268	208	~535	~485
WPT...H2/K	246	306	103 ± 3	268	208	-	-
WPT...H3	411	411	98 ± 2	370	370	~617	~613
WPT...H3/K	411	411	98 ± 2	370	370	-	-
WPT...H4	500	500	155 ± 5	400	400	~790	~718
WPT...H4/K	500	500	155 ± 5	400	400	-	-
WPT...H5	600	600	155 ± 5	500	500	~790	~818
WPT...H5/K	600	600	155 ± 5	500	500	-	-
WPT...H6	800	800	135 ± 5	740	720	~1100	~1050
WPT...H6/K	800	800	135 ± 5	740	720	-	-



Platform scale 150×200 mm with indicator installed on a pillar.
 WPT 3 H1 M V1 - version 1 standard - aluminum load cell in a 100 % waterproof construction, pillar height 24 cm;
 WPT 3 H1 M V2 - version 2 - aluminum load cell in a 100 % waterproof construction, pillar height 7 cm
 WPT 3 H1 M V3 - version 3 - stainless steel load cell, pillar height 24 cm
 WPT 3 H1 M V4 - version 4 - stainless steel load cell, pillar height 7 cm

WPT 3H1 scales are also available with indicator installed on a cable and max capacity 3kg/1g.
 Scales are powered from mains, RS 232 slot comes as standard. On special request, the WPT 3H1 series is accessible in upgraded anti-corrosion steel.



Technical data:

	WPT 1,5/3H1	WPT 3H1
	WPT 1,5/3H1/K	WPT 3H1/K
Max capacity	1,5/3 kg	3 kg
Readability	0,5/1 g	1 g
Tare range	-3 kg	-3 kg
Pan size	200×150 mm	
Working temperature	-10° - +40 °C	
Output signal	RS 232	
IP rating	IP 67 - construction, IP 66/67 - indicator	
Power supply	230V AC, 50Hz / 11V AC and internal accumulator	
Operation time on accumulators	~45 h	
Display	LCD (backlit)	
Net weight / Gross weight	7/8,3 kg	
Packaging size	520×260×290 mm	

Additional equipment:

Kafka thermal printer	Anti-vibration table
Epson dor matrix printer	Table for scale
Anti-dust case for Epson printer	RAD-KEY computer software
Stand for the indicator	PW-WIN computer software
RS 232 / Ethernet converter KR-04	LS-FS computer software
External power output	RS 232 cable: scale - "Kafka" printer: P0253
LCD display WWG-2 (digit height 4,5")	RS 232 cable: scale - "Epson" printer: P0261
Conveyors: roller and other	Power cord with jack for car lighter 12V: K0042
	LCD display in stainless steel housing

PLATFORM SCALES WITH PLASTIC HEAD



release date 28-06-2013



Platform scales WPT series are designed for direct trade, and they easily are used in applications requiring fast and precise determination of net weight.

WPT series features an indicator PUE C/31 series comprising backlit LCD display.

- Parts counting
- Checkweighing
- Totalizing

Depending on scale version, the indicator is installed on:

- a pillar with possibility of adjusting the angle (WPT version);
- a cable (WPT/K version);
- attached to the weighing platform (WPT/R version).

WPT scale is manufactured using powder coated mild steel profiles, with stainless steel weighing platform.

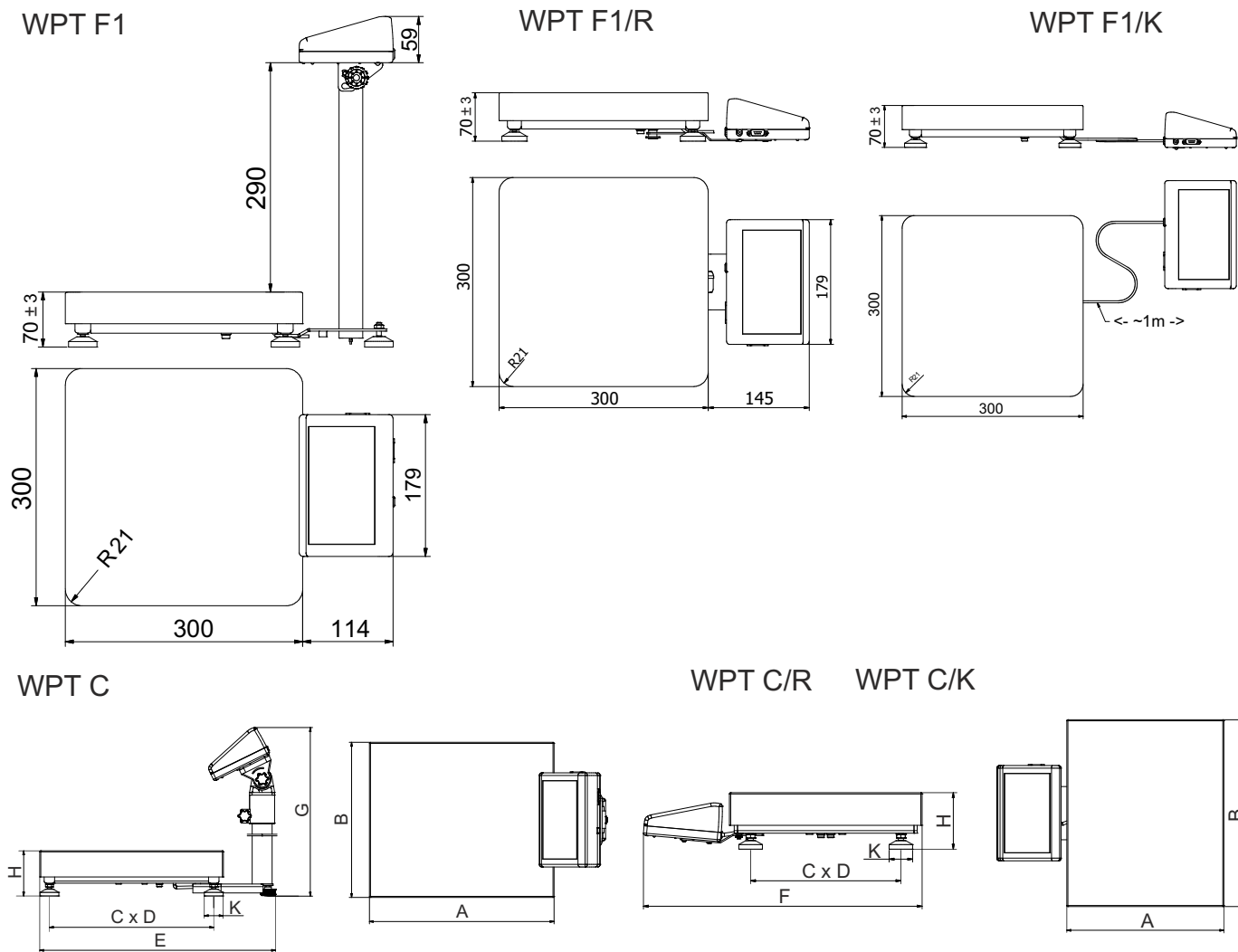
WPT series is powered either from mains or by batteries (6×AA).

Technical data:

	WPT 6 F1	WPT 15 F1	WPT 30 F1	WPT 30 C2	WPT 60 C2	WPT 150 C2	WPT 300 C2	WPT 150 C3	WPT 300 C3
	WPT 6 F1/K	WPT 15 F1/K	WPT 30 F1/K	WPT 30 C2/K	WPT 60 C2/K	WPT 150 C2/K	WPT 300 C2/K	WPT 150 C3/K	WPT 300 C3/K
	WPT 6 F1/R	WPT 15 F1/R	WPT 30 F1/R	WPT 30 C2/R	WPT 60 C2/R	WPT 150 C2/R	-	-	-
Max capacity	6 kg	15 kg	30 kg	30 kg	60 kg	150 kg	300 kg	150 kg	300 kg
Minimum load	40 g	100 g	200 g	200 g	400 g	1 kg	2 kg	1 kg	2 kg
Readability	2 g	5 g	10 g	10 g	20 g	50 g	100 g	50 g	100 g
Tare range	-6 kg	-15 kg	-30 kg	-30 kg	-60 kg	-150 kg	-300 kg	-150 kg	-300 kg
Pan size	300 × 300 mm			400 × 500 mm				500 × 700 mm	
Working temperature	-10° ÷ +40 °C								
Relative atmospheric humidity	10 ÷ 85 % RH no condensation								
Output signal	RS 232								
IP rating	IP 65 - platform, IP 43 - indicator								
Power supply	230V AC, 50Hz / 11V AC and 6 × AA NiMH accumulator								
Operation time on batteries	~ 35 h								
Display	LCD (backlit)								
Net weight / Gross weight	5,2 / 6 kg			15,5 / 17,8 kg				20,5 / 26,8 kg	
Packaging size	570×390×170 mm			720×580×220 mm				820×640×260 mm	

Technical data:

	WPT 3/6 F1	WPT 6/15 F1	WPT 15/30 F1	WPT 15/30 C2	WPT 30/60 C2	WPT 60/150 C2	WPT 150/300 C2
	WPT 3/6 F1/K	WPT 6/15 F1/K	WPT 15/30 F1/K	WPT 15/30 C2/K	WPT 30/60 C2/K	WPT 60/150 C2/K	WPT 150/300 C2/K
	WPT 3/6 F1/R	WPT 6/15 F1/R	WPT 15/30 F1/R	WPT 15/30 C2/R	WPT 30/60 C2/R	WPT 60/150 C2/R	-
Max capacity	3 / 6 kg	6 / 15 kg	15 / 30 kg	15 / 30 kg	30 / 60 kg	60 / 150 kg	150 / 300 kg
Minimum load	20 / 40 g	40 / 100 g	100 / 200 g	100 / 200 g	200 / 400 g	400 / 1000 g	1 / 2 kg
Readability	1 / 2 g	2 / 5 g	5 / 10 g	5 / 10 g	10 / 20 g	20 / 50 g	50 / 100 g
Tare range	-6 kg	-15 kg	-30 kg	-30 kg	-60 kg	-150 kg	-300 kg
Pan size	300 × 300 mm			400 × 500 mm			
Working temperature	-10° ÷ +40 °C						
Relative atmospheric humidity	10 ÷ 85 % RH no condensation						
Output signal	RS 232						
IP rating	IP 65 - platform, IP 43 - indicator						
Power supply	230V AC, 50Hz / 11V AC and 6 × AA NiMH accumulator						
Operation time on batteries	~ 35 h						
Display	LCD (backlit)						
Net weight / Gross weight	5,2 / 6 kg			15,5 / 17,8 kg			
Packaging size	570×390×170 mm			720×580×220 mm			



Name	A [mm]	B [mm]	C [mm]	D [mm]	H [mm]	E [mm]	F [mm]	G [mm]	K [mm]
WPT ... F1	300	300	256	226	70±3	451	-	419	Ø 36
WPT ... F1/K	300	300	256	226	70±3	-	-	-	Ø 36
WPT ... F1/R	300	300	256	226	70±3	-	427	-	Ø 36
WPT ... C2	402	502	350	425	103±5	509	-	751	Ø 36
WPT ... C2/K	402	502	350	425	103±5	-	-	-	Ø 36
WPT ... C2/R	402	502	350	425	103±5	-	544	-	Ø 36
WPT ... C3	701	501	628	428	130±5	817	-	754	Ø 50
WPT ... C3/K	701	501	628	428	130±5	-	-	-	Ø 50

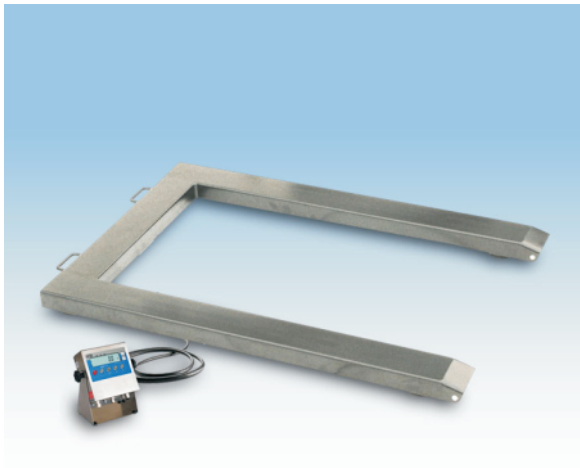
Additional equipment:

ANTI-VIBRATION TABLE	EXTERNAL POWER OUTPUT
KAFKA THERMAL PRINTER	TABLE FOR SCALE
EPSON DOT MATRIX PRINTER	PW-WIN COMPUTER SOFTWARE
ANTI-DUST CASE FOR EPSON PRINTER	RAD-KEY COMPUTER SOFTWARE
STAND FOR THE INDICATOR	LS-FS COMPUTER SOFTWARE
HANDLE FOR INDICATOR IN PLASTIC HOUSING	RS 232 CABLE: SCALE - "KAFKA" PRINTER: P0136
RS 232 / RS 485 CONVERTER KR-01	RS 232 CABLE: SCALE - "EPSON" PRINTER: P0151
RS 232 / ETHERNET CONVERTER KR-04	RS 232 CABLE: SCALE - COMPUTER: P0108
LCD DISPLAY WWG-2 (DIGIT HEIGHT 4,5")	POWER CORD WITH JACK FOR CAR LIGHTER: K0047
LCD DISPLAY IN PLASTIC HOUSING	LCD DISPLAY IN STAINLESS STEEL HOUSING

STAINLESS STEEL PALLET SCALES



release date 05-01-2012



Pallet scales are stable 4 load cell constructions designed for weighing pallets. The load can be placed on the platform by a standard fork-lift truck. Pallet scales series WPT/4P xxx/H are manufactured in stainless steel technology.



Counting pieces



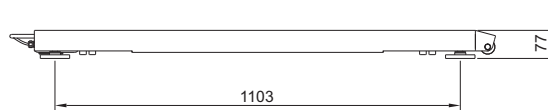
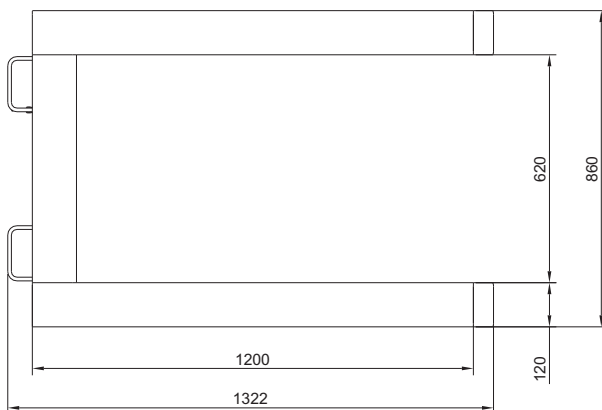
Checkweighing



Summing function

Pallet scales feature wheels and handles for easy operation and transport. The scale is equipped with a backlit LCD indicator PUE C/31 H installed on a three meter long cable

The capacities of scale series WPT/4P xxx/H range from 600 kg /200 g to 3000 kg /1000 g. Power supply 230V AC, RS 232 output as standard.



Technical data:

	WPT/4P 600H	WPT/4P 1500H	WPT/4P 3000H	WPT/4P 300/600H	WPT/4P 600/1500H	WPT/4P 1500/3000H
Max capacity	600 kg	1500 kg	3000 kg	300/600 kg	600/1500 kg	1500/3000 kg
Readability	200 g	500 g	1000 g	100/200 g	200/500 g	500/1000 g
Tare range	-600 kg	-1500 kg	-3000 kg	-600 kg	-1500 kg	-3000 kg
Pan size	860×1260 mm					
Working temperature	-10° - +40 °C					
Output signal	RS 232					
IP rating	IP 68 construction, IP 66/67 indicator					
Power supply	230V AC, 50Hz / 11V AC and battery					
Display	LCD (backlit)					
Scale net weight with indicator	~45 kg					
Transport dimensions	1330×860×80 mm					

Additional equipment:

"KAFKA" THERMAL PRINTER	POWER LOOP AP2-2 (STAINLESS STEEL VERSION)
IMPACT PRINTER "EPSON"	CONVERTERRS 232/RS 485 KR-01
ANTI-DUST CASE FOR EPSON PRINTER	STAND FOR STAINLESS STEEL INDICATOR
LCD DISPLAY IN STAINLESS STEEL HOUSING WD-4/3	COMPUTER SOFTWARE: PW-WIN, RAD-KEY, REC-FS, LS-FS
LARGE SIZE LCD DISPLAY WWG-2	CABLE RS 232 [SCALE - KAFKA PRINTER]: P0253
RACK FOR HEAD	CABLE RS 232 [SCALE - COMPUTER]: P0259
	CABLE RS 232 [SCALE - EPSON PRINTER]: P0261

RADWAG

26-600 Radom • 28 Bracka Street • POLAND • Phone: +48 48 3848800 • Fax: +48 48 3850010 • www.radwag.com • e-mail:export@radwag.com

PALLET SCALES



release date 13-11-2013

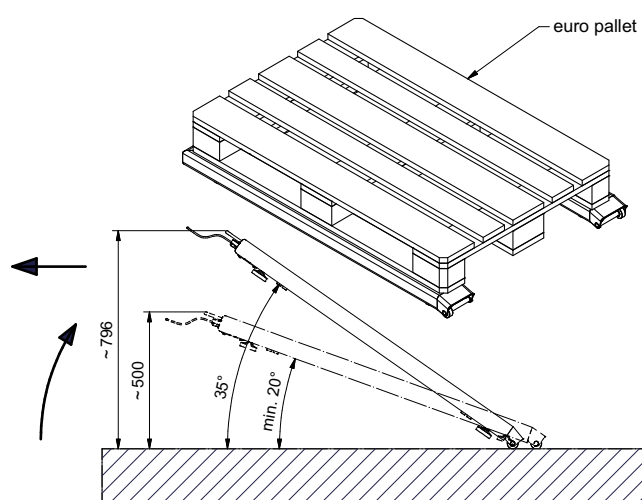
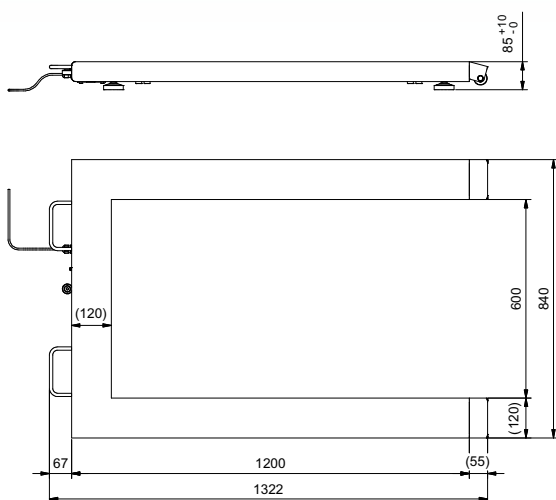


Pallet scales are stable and proved 4 load cell constructions designed for weighing pallets. The load to be weighed can be placed on the platform by a standard fork-lift truck. The pallet scales WPT/4P/C series are manufactured in mild steel powder coated version.

The WPT/4P series features wheels and handles for easy transporting the scale to its place of use. The scale comes standard with an indicator PUE C/31 series featuring backlit LCD display and 5 function buttons. The indicator is installed on a three meter long cable.

The capacities of scales WPT/4P/C series range from 600 kg /200 g to 3000 kg /1000 g. Power supply from mains 230V AC. RS 232 output comes as standard equipment.

- Parts counting
- Checkweighing
- Totalizing



Technical data:

	WPT/4P 300/600C	WPT/4P 600C	WPT/4P 600/1500C	WPT/4P 1500C	WPT/4P 2000C	WPT/4P 1500/3000C	WPT/4P 3000C
Max capacity	300/600 kg	600 kg	600/1500 kg	1500 kg	2000 kg	1500/3000 kg	3000 kg
Readability	100/200 g	200 g	200/500 g	500 g	1000 g	500/1000 g	1000 g
Tare range	-600 kg	-600 kg	-1500 kg	-1500 kg	-2000 kg	-3000 kg	-3000 kg
Pan size	1200 × 840 mm						
Working temperature	-10° ÷ +40 °C						
Output signal	RS 232						
IP rating	IP 65 construction, IP 67 load cell, IP 43 indicator						
Power supply	230V AC, 50Hz / 11V AC and battery						
Display	LCD (backlit)						
Scale net weight with indicator	~45 kg						
Scale dimensions	1322 × 840 × 85 mm						

Additional equipment:

RACK FOR INDICATOR	COMPUTER SOFTWARE: PW-WIN, RAD-KEY, REC-FS, LS-FS
LCD ADDITIONAL DISPLAY	RS 232/RS 485 CONVERTER KR-01
LARGE SIZE ADDITIONAL DISPLAY WWG (DIGIT 4,5")	RS 232 / ETHERNET CONVERTER KR-02
THERMAL PRINTER "KAFKA"	EXTERNAL POWER OUTPUT
DOT MATRIX PRINTER "EPSON"	CABLE RS 232 [SCALE-COMPUTER]: P0108
ANTI-DUST CASE FOR EPSON PRINTER	CABLE RS 232 [SCALE - KAFKA PRINTER]: P0136
HANDLE FOR PLASTIC INDICATOR	CABLE RS 232 [SCALE - EPSON PRINTER]: P0151
	LCD DISPLAY IN STAINLESS STEEL HOUSING

RADWAG Balances and Scales

26-600 Radom • 28 Bracka Street • POLAND • Phone: +48 48 3848800 • Fax: +48 48 3850010 • www.radwag.com • e-mail: export@radwag.com

LIVESTOCK SCALES



Scales are manufactured in mild steel construction painted in black colour or in stainless steel construction. Weighing pan is made of aluminum with anti slippery surface or stainless steel. The scale has backlit LCD measuring indicator PUE C/31H installed on a 3 meter long cable.



Animal weighing

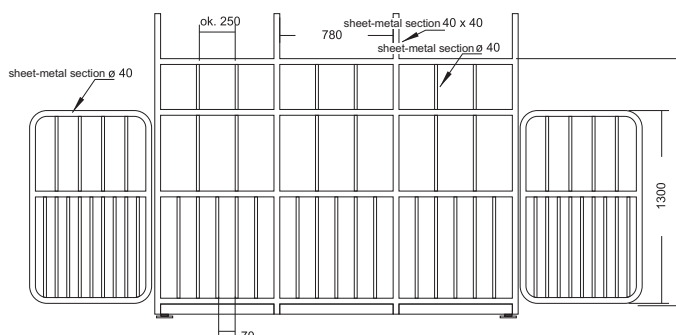
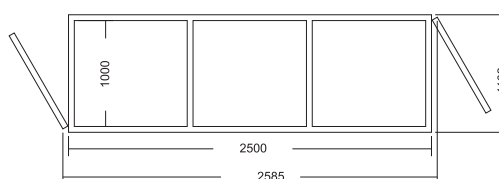
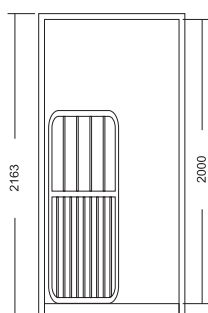


Checkweighing



Summing function

Special software with various dampening force allows for stable and precise readout even if the animals are moving on the platform. An optional solution is a scale for measuring all herd of cattle.



Technical data:

	WPT/4I 2000S1	WPT/4I 2000S2	WPT/4I 2000S3	WPT/4I 2000H1	WPT/4I 2000H2	WPT/4I 2000H3
Max capacity	2000 kg	2000 kg	2000 kg	2000 kg	2000 kg	2000 kg
Readability	1 kg	1 kg	1 kg	1 kg	1 kg	1 kg
Tare range	-2000 kg	-2000 kg	-2000 kg	-2000 kg	-2000 kg	-2000 kg
Pan size	1000×2000 mm	1000×2000 mm	1000×2500 mm	1000×2000 mm	1000×2000 mm	1000×2500 mm
Barriers height	1,1 m	1,8 m	1,8 m	1,1 m	1,8 m	1,8 m
Working temperature	-10° - +40 °C					
Output signal	RS 232					
IP rating	IP 65 construction, IP 66/67 indicator			IP 67 construction, IP 66/67 indicator		
Power supply	230V / 11V AC or 120V / 11V AC with internal SLA accumulator					
Display	LCD (backlit)					

Additional equipment:

RACK FOR HEAD	NEEDLE PRINTER "EPSON"
LCD DISPLAY	COMPUTER SOFTWARE: PW-WIN 2005
LARGE SIZE LCD DISPLAY	COMPUTER SOFTWARE: RAD-KEY 2000
"KAFKA" THERMAL PRINTER	RS 232/RS 485 CONVERTER

RADWAG

26-600 Radom • Bracka Street 28 • POLAND • Phone: +48 48 3848800 • Fax: +48 48 3850010 • www.radwag.com • e-mail:export@radwag.com

4 LOAD CELL STAINLESS STEEL SCALE



release date 30-04-2010



Measurement with application of 4 load cells is a guarantee of precise readout, regardless of load positioning on the weighing platform.

WPT/4HZ scales are manufactured in fully stainless steel technology and they are offered in pit version. They feature an open weighing platform (for easy cleaning the area under the platform).

Stainless steel indicator PUE C/31H with backlit LCD display is installed on 3 meter long cable with possibility of mounting on wall. WPT/4HZ scale is offered with capacity from 300 kg / 100 g to 6000 kg / 2000g.

The scale is powered from mains, RS 232 output is offered as standard.

- Counting pieces
- Checkweighing
- Summing function

Technical data:

	WPT/4 300 H6/Z	WPT/4 600 H6/Z	WPT/4 300 H7/Z	WPT/4 600 H7/Z	WPT/4 1500 H7/Z	WPT/4 1500 H8/Z	WPT/4 3000 H8/Z
Max capacity	300 kg	600 kg	300 kg	600 kg	1500 kg	1500 kg	3000 kg
Readability	100 g	200 g	100 g	200 g	500 g	500 g	1000 g
Tare range	-300 kg	-600 kg	-300 kg	-600 kg	-1500 kg	-1500 kg	-3000 kg
Pan size	800×800 mm	800×800 mm	1000×1000 mm	1000×1000 mm	1000×1000 mm	1200×1200 mm	1200×1200 mm
Working temperature	-10° - +40 °C						
Output signal	RS 232						
IP rating	IP 68 construction, IP 66/67 indicator						
Power supply	230V / 11V AC or 120V / 11V AC and internal accumulator						
Operation time on accumulators	~45 h (average)						
Display	LCD (backlit)						
Scale weight with indicator	75 kg	75 kg	105 kg	105 kg	115 kg	145 kg	155 kg
Platform height	88 mm	88 mm	88 mm	88 mm	88 mm	88 mm	111 mm

Technical data:

	WPT/4 1500 H8/9/Z	WPT/4 3000 H8/9/Z	WPT/4 1500 H9/Z	WPT/4 3000 H9/Z	WPT/4 3000 H10/Z	WPT/4 6000 H10/Z
Max capacity	1500 kg	3000 kg	1500 kg	3000 kg	3000 kg	6000 kg
Readability	500 g	1000 g	500 g	1000 g	1000 g	2000 g
Tare range	-1500 kg	-3000 kg	-1500 kg	-3000 kg	-3000 kg	-6000 kg
Pan size	1200×1500 mm	1200×1500 mm	1500×1500 mm	1500×1500 mm	1500×2000 mm	1500×2000 mm
Working temperature	-10° - +40 °C					
Output signal	RS 232					
IP rating	IP 68 construction, IP 66/67 indicator					
Power supply	230V / 11V AC or 120V / 11V AC and internal accumulator					
Operation time on accumulators	~45 h (average)					
Display	LCD (backlit)					
Scale weight with indicator	178 kg	195 kg	210 kg	230 kg	320 kg	325 kg
Platform height	88 mm	111 mm	88 mm	111 mm	111 mm	166 mm

Technical data:

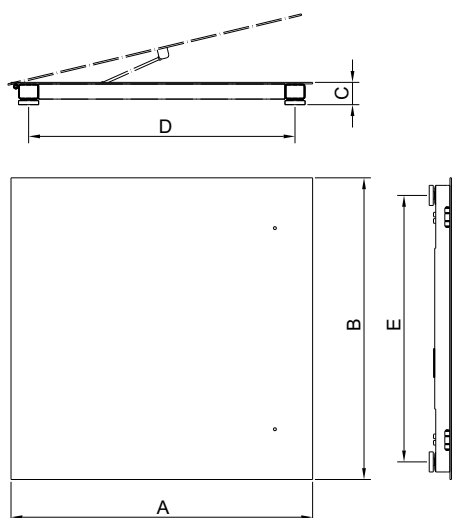
	WPT/4 300/600 H6/Z	WPT/4 300/600 H7/Z	WPT/4 600/1500 H7/Z	WPT/4 600/1500 H8/Z	WPT/4 1500/3000 H8/Z
Max capacity	300/600 kg	300/600 kg	600/1500 kg	600/1500 kg	1500/3000 kg
Readability	100/200 g	100/200 g	200/500 g	200/500 g	500/1000 g
Tare range	-600 kg	-600 kg	-1500 kg	-1500 kg	-3000 kg
Pan size	800x800 mm	1000x1000 mm	1000x1000 mm	1200x1200 mm	1200x1200 mm
Working temperature	-10° - +40 °C				
Output signal	RS 232				
IP rating	IP 68 construction, IP 66/67 indicator				
Power supply	230V / 11V AC or 120V / 11V AC and internal accumulator				
Operation time on accumulators	~45 h (average)				
Display	LCD (backlit)				
Scale weight with indicator	75 kg	105 kg	115 kg	145 kg	155 kg
Platform height	88 mm	88 mm	88 mm	88 mm	111 mm

Technical data:

	WPT/4 600/1500 H8/9/Z	WPT/4 1500/3000 H8/9/Z	WPT/4 600/1500 H9/Z	WPT/4 1500/3000 H9/Z	WPT/4 1500/3000 H10/Z	WPT/4 3000/6000 H10/Z
Max capacity	600/1500 kg	1500/3000 kg	600/1500 kg	1500/3000 kg	1500/3000 kg	3000/6000 kg
Readability	200/500 g	500/1000 g	200/500 g	500/1000 g	500/1000 g	1000/2000 g
Tare range	-1500 kg	-3000 kg	-1500 kg	-3000 kg	-3000 kg	-6000 kg
Pan size	1200x1500 mm	1200x1500 mm	1500x1500 mm	1500x1500 mm	1500x2000 mm	1500x2000 mm
Working temperature	-10° - +40 °C					
Output signal	RS 232					
IP rating	IP 68 construction, IP 66/67 indicator					
Power supply	230V / 11V AC or 120V / 11V AC and internal accumulator					
Operation time on accumulators	~45 h (average)					
Display	LCD (backlit)					
Scale weight with indicator	178 kg	195 kg	210 kg	230 kg	320 kg	325 kg
Platform height	88 mm	111 mm	88 mm	111 mm	111 mm	166 mm

Additional equipment:

Kafka thermal printer	PW-WIN 2004 computer software
Epson impact printer	RAD-KEY 2000 computer software
Anti-dust case for Epson printer	REC-FS 2000 computer software
Handle for measuring indicator	RS 232 cable: scale - thermal printer: P0136
KR-04 converter RS 232 / Ethernet	RS 232 cable: scale - "Epson/Citizen" printer: P0151
Power loop output AP2	RS 232 cable: scale - computer: P0108
Large LCD display (digit height 4,5")	LCD display in stainless steel casing

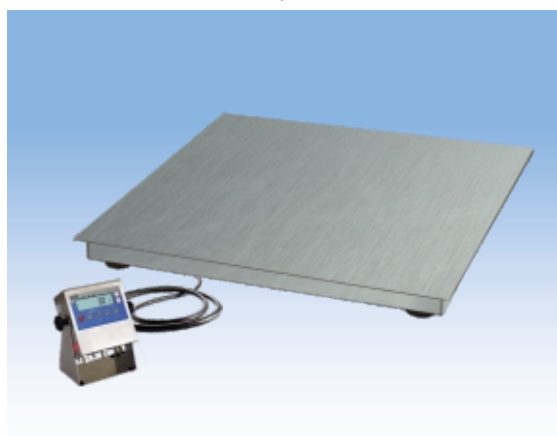


	max	AxB	C	DxE
WPT/4 300 H6	300kg	800x800mm	88±2mm	660x660mm
WPT/4 600 H6	600kg	800x800mm	88±2mm	660x660mm
WPT/4 300 H7	300kg	1000x1000mm	88±2mm	860x860mm
WPT/4 600 H7	600kg	1000x1000mm	88±2mm	860x860mm
WPT/4 1500 H7	1500kg	1000x1000mm	88±2mm	860x860mm
WPT/4 1500 H8	1500kg	1200x1200mm	88±2mm	1060x1060mm
WPT/4 3000 H8	3000kg	1200x1200mm	111mm	1060x1060mm
WPT/4 1500 H8/9	1500kg	1200x1500mm	88±2mm	1060x1360mm
WPT/4 3000 H8/9	3000kg	1200x1500mm	111mm	1060x1360mm
WPT/4 1500 H9	1500kg	1500x1500mm	88±2mm	1360x1360mm
WPT/4 3000 H9	3000kg	1500x1500mm	111mm	1360x1360mm
WPT/4 3000 H10	3000kg	1500x2000mm	111mm	1360x1860mm

4 LOAD CELL STAINLESS STEEL SCALE



release date 15-11-2012



Measurement with application of 4 load cells is a guarantee of precise readout, regardless of load position on the weighing platform.

This platform scales series WPT/4H with 4 load cells are manufactured in fully stainless steel technology with stainless steel indicator series PUE C/31H with backlit LCD display. The indicator is installed on a 3 meter long cable with possibility of mounting on wall. WPT/4H is available with capacity from 300 kg/100g to 6000 kg/2000g.

Scales are powered from mains, RS 232 output is offered as standard.



Counting pieces



Checkweighing



Summing function

Technical data:

	WPT/4 300 H6	WPT/4 600 H6	WPT/4 300 H7	WPT/4 600 H7	WPT/4 1500 H7	WPT/4 1500 H8	WPT/4 3000 H8
Max capacity	300 kg	600 kg	300 kg	600 kg	1500 kg	1500 kg	3000 kg
Readability	100 g	200 g	100 g	200 g	500 g	500 g	1000 g
Tare range	-300 kg	-600 kg	-300 kg	-600 kg	-1500 kg	-1500 kg	-3000 kg
Pan size	800×800 mm	800×800 mm	1000×1000 mm	1000×1000 mm	1000×1000 mm	1200×1200 mm	1200×1200 mm
Working temperature	-10° - +40 °C						
Output signal	RS 232						
IP rating	IP 68 construction, IP 66/67 indicator						
Power supply	230V / 11V AC or 120V / 11V AC and internal accumulator						
Operation time on accumulators	~ 45 h (average)						
Display	LCD (backlit)						
Scale weight with indicator	59 kg	59 kg	84 kg	84 kg	94 kg	125 kg	130 kg
Platform height	88 mm	88 mm	88 mm	88 mm	88 mm	88 mm	111 mm

Technical data:

	WPT/4 1500 H8/9	WPT/4 3000 H8/9	WPT/4 1500 H9	WPT/4 3000 H9	WPT/4 3000 H10	WPT/4 6000 H10
Max capacity	1500 kg	3000 kg	1500 kg	3000 kg	3000 kg	6000 kg
Readability	500 g	1000 g	500 g	1000 g	1000 g	2000 g
Tare range	-1500 kg	-3000 kg	-1500 kg	-3000 kg	-3000 kg	-6000 kg
Pan size	1200×1500 mm	1200×1500 mm	1500×1500 mm	1500×1500 mm	1500×2000 mm	1500×2000 mm
Working temperature	-10° - +40 °C					
Output signal	RS 232					
IP rating	IP 68 construction, IP 66/67 indicator					
Power supply	230V / 11V AC or 120V / 11V AC and internal accumulator					
Time on accumulators	~45 h (average)					
Display	LCD (backlit)					
Scale weight with indicator	158 kg	165 kg	190 kg	200 kg	285 kg	350 kg
Platform height	88 mm	111 mm	88 mm	111 mm	111 mm	166 mm

Technical data:

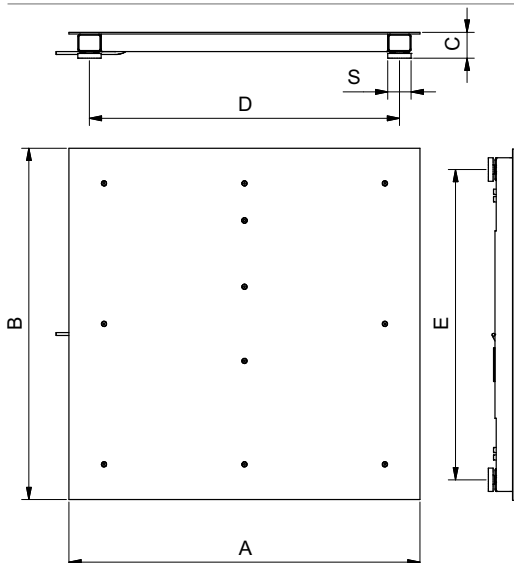
	WPT/4 300/600 H6	WPT/4 300/600 H7	WPT/4 600/1500 H7	WPT/4 600/1500 H8	WPT/4 1500/3000 H8
Max capacity	300/600 kg	300/600 kg	600/1500 kg	600/1500 kg	1500/3000 kg
Readability	100/200 g	100/200 g	200/500 g	200/500 g	500/1000 g
Tare range	-600 kg	-600 kg	-1500 kg	-1500 kg	-3000 kg
Pan size	800x800 mm	1000x1000 mm	1000x1000 mm	1200x1200 mm	1200x1200 mm
Working temperature	-10° - +40 °C				
Output signal	RS 232				
IP rating	IP 68 construction, IP 66/67 indicator				
Power supply	230V / 11V AC or 120V / 11V AC and internal accumulator				
Operation time on accumulators	~45 h (average)				
Display	LCD (backlit)				
Scale weight with indicator	59 kg	84 kg	94 kg	125 kg	130 kg
Platform height	88 mm	88 mm	88 mm	88 mm	111 mm

Technical data:

	WPT/4 600/1500 H8/9	WPT/4 1500/3000 H8/9	WPT/4 600/1500 H9	WPT/4 1500/3000 H9	WPT/4 1500/3000 H10	WPT/4 3000/6000 H10
Max capacity	600/1500 kg	1500/3000 kg	600/1500 kg	1500/3000 kg	1500/3000 kg	3000/6000 kg
Readability	200/500 g	500/1000 g	200/500 g	500/1000 g	500/1000 g	1000/2000 g
Tare range	-1500 kg	-3000 kg	-1500 kg	-3000 kg	-3000 kg	-6000 kg
Pan size	1200x1500 mm	1200x1500 mm	1500x1500 mm	1500x1500 mm	1500x2000 mm	1500x2000 mm
Working temperature	-10° - +40 °C					
Output signal	RS 232					
IP rating	IP 68 construction, IP 66/67 indicator					
Power supply	230V / 11V AC or 120V / 11V AC and internal accumulator					
Operation time on accumulators	~45 h (average)					
Display	LCD (backlit)					
Scale weight with indicator	158 kg	165 kg	190 kg	200 kg	285 kg	350 kg
Platform height	88 mm	111 mm	88 mm	111 mm	111 mm	166 mm

Additional equipment:

Kafka thermal printer	PW-WIN 2004 computer software
Epson impactprinter	RAD-KEY 2000 computer software
Anti-dust case for Epson printer	REC-FS 2000 computer software
Stand for measuring indicator	RS 232 cable: scale - thermal printer: P0136
KR-04 converter Rs232 / Ethernet	RS 232 cable: scale - "Epson" printer: P0151
Large LCD WWG-2 (digit height 4,5")	RS 232 cable: scale - computer: P0108
LCD display in plastic casing	Cable for plugging to car lighter 12V: K0047
	LCD display in stainless steel casing

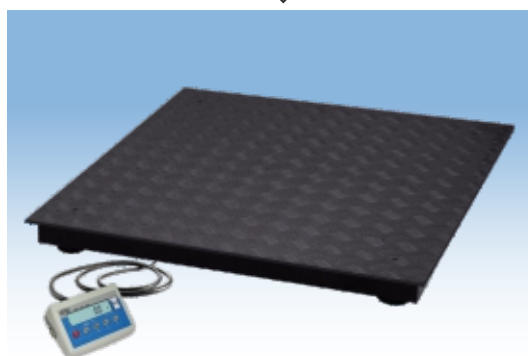


	max	A x B	C	D x E	S
WPT/4 300 H6	300kg	800x800mm	88±2mm	660x660mm	Ø80
WPT/4 600 H6	600kg	800x800mm	88±2mm	660x660mm	Ø80
WPT/4 300 H7	300kg	1000x1000mm	88±2mm	860x860mm	Ø80
WPT/4 600 H7	600kg	1000x1000mm	88±2mm	860x860mm	Ø80
WPT/4 1500 H7	1500kg	1000x1000mm	88±2mm	860x860mm	Ø80
WPT/4 1500 H8	1500kg	1200x1200mm	88±2mm	1060x1060mm	Ø80
WPT/4 3000 H8	3000kg	1200x1200mm	111mm	1060x1060mm	Ø80
WPT/4 1500 H8/9	1500kg	1200x1500mm	88±2mm	1060x1360mm	Ø80
WPT/4 3000 H8/9	3000kg	1200x1500mm	111mm	1060x1360mm	Ø80
WPT/4 1500 H9	1500kg	1500x1500mm	88±2mm	1360x1360mm	Ø80
WPT/4 3000 H9	3000kg	1500x1500mm	111mm	1360x1360mm	Ø80
WPT/4 3000 H10	3000kg	1500x2000mm	111mm	1360x1860mm	Ø80
WPT/4 6000 H10	6000kg	1500x2000mm	166mm	1360x1860mm	Ø100

4 LOAD CELL MILD STEEL SCALES



release date 01-09-2013



Measurement with application of 4 load cells is a guarantee of precise mass reading, regardless of load positioning on the weighing platform.

Platform scales WPT/4 series are made of mild steel powder coated construction and feature mild steel powder coated weighing platform with grooved surface. The platform comprises 4 load cells connected to an indicator PUE C/31 series featuring backlit LCD display and 5 function buttons, and connected through a 3 meter long cable to the weighing platform.

Scales with the largest weighing platforms (models C10 and C11) come standard with indicator PUE C31H series. Scales are powered from mains or by batteries (6xAA), RS 232 output is offered as standard. WPT/4 series is ready for installation in pit version which does not require application of ramps.



Parts counting



Checkweighing



Totalizing

Technical data:

	WPT/4 150 C6	WPT/4 300 C6	WPT/4 600 C6	WPT/4 1500 C6	WPT/4 150 C7	WPT/4 300 C7
Max capacity	150 kg	300 kg	600 kg	1500 kg	150 kg	300 kg
Readability	0,05 kg	0,1 kg	0,2 kg	0,5 kg	0,05 kg	0,1 kg
Tare range	-150 kg	-300 kg	-600 kg	-1500 kg	-150 kg	-300 kg
Pan size	800×800 mm	800×800 mm	800×800 mm	800×800 mm	1000×1000 mm	1000×1000 mm
Working temperature	-10° - +40 °C					
Output signal	RS 232					
Power supply	230V / 11V AC or 120V / 11V AC and 6×AA NiMH accumulator					
Display	LCD (backlit)					
Scale weight with indicator	55 kg	55 kg	55 kg	55 kg	80 kg	80 kg
Platform height	116 +/-6 mm	116 +/-6 mm	120 +/-10 mm	120 +/-10 mm	116 +/-6 mm	116 +/-6 mm

Technical data:

	WPT/4 600 C7	WPT/4 1500 C7	WPT/4 1500 C8	WPT/4 3000 C8	WPT/4 1500 C8/9	WPT/4 3000 C8/9
Max capacity	600 kg	1500 kg	1500 kg	3000 kg	1500 kg	3000 kg
Readability	0,2 kg	0,5 kg	0,5 kg	1 kg	0,5 kg	1 kg
Tare range	-600 kg	-1500 kg	-1500 kg	-3000 kg	-1500 kg	-3000 kg
Pan size	1000×1000 mm	1000×1000 mm	1200×1200 mm	1200×1200 mm	1200×1500 mm	1200×1500 mm
Working temperature	-10° - +40 °C					
Output signal	RS 232					
Power supply	230V / 11V AC or 120V / 11V AC and 6×AA NiMH accumulator					
Display	LCD (backlit)					
Scale weight with indicator	80 kg	80 kg	110 kg	110 kg	135 kg	135 kg
Platform height	120 +/-10 mm					

Technical data:

	WPT/4 1500 C9	WPT/4 3000 C9	WPT/4 3000 C10	WPT/4 6000 C10	WPT/4 3000 C11	WPT/4 6000 C11
Max capacity	1500 kg	3000 kg	3000 kg	6000 kg	3000 kg	6000 kg
Readability	0,5 kg	1 kg	1 kg	2 kg	1 kg	2 kg
Tare range	-1500 kg	-3000 kg	-3000 kg	-6000 kg	-3000 kg	-6000 kg
Pan size	1500×1500 mm	1500×1500 mm	1500×2000 mm	1500×2000 mm	2000×2000 mm	2000×2000 mm
Working temperature	-10° - +40 °C					
Output signal	RS 232					
Power supply	230V / 11V AC or 120V / 11V AC and 6×AA NiMH accumulator					
Display	LCD (backlit)					
Scale weight with indicator	160 kg	160 kg	230 kg	280 kg	290 kg	350 kg
Platform height	120 +/-10 mm	120 +/-10 mm	120 +/-10 mm	160 +/-10 mm	120 +/-10 mm	160 +/-10 mm

Technical data:

	WPT/4 300/600 C6	WPT/4 600/1500 C6	WPT/4 300/600 C7	WPT/4 600/1500 C7	WPT/4 600/1500 C8
Max capacity	600 kg	1500 kg	600 kg	1500 kg	1500 kg
Readability	0,1 / 0,2 kg	0,2 / 0,5 kg	0,1 / 0,2 kg	0,2 / 0,5 kg	0,2 / 0,5 kg
Tare range	-600 kg	-1500 kg	-600 kg	-1500 kg	-1500 kg
Pan size	800×800 mm	800×800 mm	1000×1000 mm	1000×1000 mm	1200×1200 mm
Working temperature	-10° - +40 °C				
Output signal	RS 232				
Power supply	230V / 11V AC or 120V / 11V AC and 6×AA NiMH accumulator				
Display	LCD (backlit)				
Scale weight with indicator	55 kg	55 kg	80 kg	80 kg	110 kg
Platform height	116 +/-6 mm	120 +/-10 mm	116 +/-6 mm	120 +/-10 mm	120 +/-10 mm

Technical data:

	WPT/4 1500/3000 C8	WPT/4 600/1500 C8/9	WPT/4 1500/3000 C8/9	WPT/4 600/1500 C9	WPT/4 1500/3000 C9
Max capacity	3000 kg	1500 kg	3000 kg	1500 kg	3000 kg
Readability	0,5 / 1 kg	0,2 / 0,5 kg	0,5 / 1 kg	0,2 / 0,5 kg	0,5 / 1 kg
Tare range	-3000 kg	-1500 kg	-3000 kg	-1500 kg	-3000 kg
Pan size	1200×1200 mm	1200×1500 mm	1200×1500 mm	1500×1500 mm	1500×1500 mm
Working temperature	-10° - +40 °C				
Output signal	RS 232				
Power supply	230V / 11V AC or 120V / 11V AC and 6×AA NiMH accumulator				
Display	LCD (backlit)				
Scale weight with indicator	110 kg	135 kg	135 kg	160 kg	160 kg
Platform height	120 +/-10 mm				

Technical data:

	WPT/4 1500/3000 C10	WPT/4 3000/6000 C10	WPT/4 1500/3000 C11	WPT/4 3000/6000 C11
Max capacity	3000 kg	6000 kg	3000 kg	6000 kg
Readability	0,5 / 1 kg	1 / 2 kg	0,5 / 1 kg	1 / 2 kg
Tare range	-3000 kg	-6000 kg	-3000 kg	-6000 kg
Pan size	1500×2000 mm	1500×2000 mm	2000×2000 mm	2000×2000 mm
Working temperature	-10° - +40 °C			
Output signal	RS 232			
Power supply	230V / 11V AC or 120V / 11V AC and 6×AA NiMH accumulator			
Display	LCD (backlit)			
Scale weight with indicator	230 kg	280 kg	290 kg	350 kg
Platform height	120 +/-10 mm	160 +/-10 mm	120 +/-10 mm	160 +/-10 mm

Additional equipment:

RACK FOR INDICATOR	DOT MATRIX PRINTER "EPSON": TM-U220D, TM-U220B, TM-U220A
ADDITIONAL LCD DISPLAY	COMPUTER SOFTWARE: PW-WIN, RAD-KEY, REC-FS, LS-FS
LARGE SIZE ADDITIONAL DISPLAY	RS 232/RS 485 CONVERTER
THERMAL PRINTER KAFKA 1, 1/2, SQS	FRAME FOR PIT VERSION

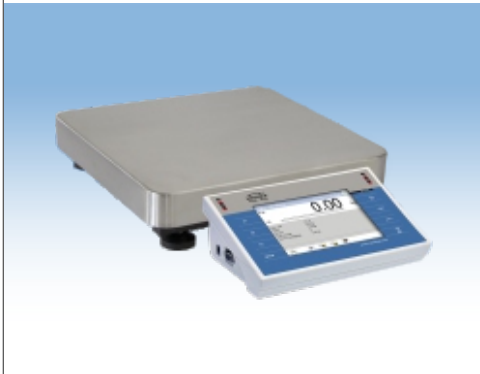
RADWAG Balances and Scales

26-600 Radom • 28 Bracka Street • POLAND • Phone: +48 48 3848800 • Fax: +48 48 3850010 • www.radwag.com • e-mail: export@radwag.com

WPY SCALES



release date 28-06-2013



Application:

Multifunctional scales WPY series are designed for fast and precise determining mass of weighed objects in industrial conditions and with application of a modern terminal PUE7 series. The scales feature simple structure and enable maximum automation of carried out weighing processes. The universal software implemented in the terminal enables scale cooperation with barcode scanners, receipt printers, label printers, RFID scanners and PC peripherals (including mouse, keyboard and external data storage devices) all connectable to built-in interfaces RS232, USB and Ethernet

Design and Functionality:

All types of the WPY scales feature a stainless steel weighing platform and a terminal comprising 5,7" TFT colourful touch screen display and a membrane keyboard. The system is ready to connect an additional weighing platform, and provides below functions:

- programming of display and functional keys,
- programming infrared proximity sensors,
- programming printouts,
- programming text data displayed on scale terminal.

- Parts counting
- Totalizing
- Filling
- Checkweighing
- Labeling
- Percent setup
- Statistics
- Formulation
- Under-hook weighing
- Infrared sensors



Data exchange through USB storage devices

- update scale software
- export weighing data



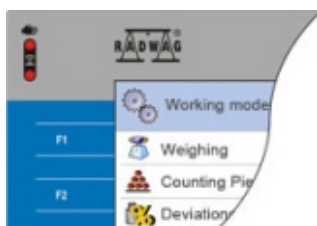
5,7" colourful touch screen Infrared proximity sensors

Programmable 40 functions (PRINT, TARE and others).



Communication interfaces

- Ethernet
- 2×RS 232
- 2×USB
- 4 IN / 4 OUT.



WPY series comes standard with working modes for "Parts counting" and "Checkweighing".

Technical data:

	WPY 0,6/D2	WPY 1,5/D2	WPY 3/D2	WPY 6/D2
Max capacity	0,6 kg	1,5 kg	3 kg	6 kg
Minimum load	4 g	10 g	20 g	40 g
Readability	0,2 g	0,5 g	1 g	2 g
Verification interval	0,2 g	0,5 g	1 g	2 g
Tare range	-0,6 kg	-1,5 kg	-3 kg	-6 kg
Repeatability	0,2 g	0,5 g	1 g	2 g
Linearity	±0,2 g	±0,5 g	±1 g	±2 g
OIML class	III			
Pan size	195×195 mm			
Stabilization time	2 s			
Working temperature	-10 ° ÷ +40 °C			
Storage temperature	-25 ° ÷ +70 °C			
IP rating	IP 54			
Power supply	110÷230VAC 50/60Hz / 10,5÷15VDC			
Adjustment / Calibration	external			
Display	5,7" touch screen			
Interface	2×USB, 2×RS 232, Ethernet, 4IN / 4OUT			
Net weight / Gross weight	2,7/3,6 kg			
Packaging size	490×300×150 mm			

Technical data:

	WPY 3/6/F1/R WPY 3/6/F1/K	WPY 6/F1/R WPY 6/F1/K	WPY 6/15/F1/R WPY 6/15/F1/K	WPY 15/F1/R WPY 15/F1/K	WPY 15/30/F1/R WPY 15/30/F1/K	WPY 30/F1/R WPY 30/F1/K
Max capacity	3/6 kg	6 kg	6/15 kg	15 kg	15/30 kg	30 kg
Minimum load	20/40 g	40 g	40/100 g	100 g	100/200 g	200 g
Readability	1/2 g	2 g	2/5 g	5 g	5/10 g	10 g
Verification interval	1/2 g	2 g	2/5 g	5g	5/10 g	10 g
Tare range	-6 kg	-6 kg	-15 kg	-15 kg	-30 kg	-30 kg
Repeatability	1/2 g	2 g	2/5 g	5 g	5/10 g	10 g
Linearity	±1/2 g	±2 g	±2/5 g	±5 g	±5/10 g	±10 g
OIML class	III					
Pan size	300×300 mm					
Stabilization time	3 s					
Working temperature	-10 ° ÷ +40 °C					
Storage temperature	-25 ° ÷ +70 °C					
IP rating	IP 54					
Power supply	110÷230VAC 50/60Hz / 10,5÷15VDC					
Adjustment / Calibration	external					
Display	5,7" touch screen					
Interface	2×USB, 2×RS 232, Ethernet, 4IN / 4OUT					
Net weight / Gross weight	5,2 / 6 kg					
Packaging size	570×390×170 mm					

Technical data:

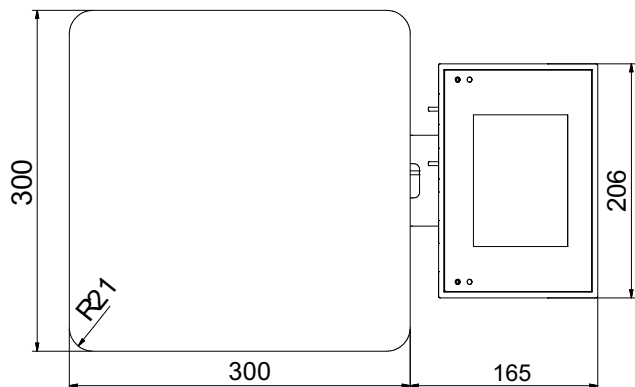
	WPY 15/30/C2/R WPY 15/30/C2/K	WPY 30/C2/R WPY 30/C2/K	WPY 30/60/C2/R WPY 30/60/C2/K	WPY 60/C2/R WPY 60/C2/K	WPY 60/150/C2/R WPY 60/150/C2/K	WPY 150/C2/R WPY 150/C2/K
Max capacity	15/30 kg	30 kg	30/60 kg	60 kg	60/150 kg	150 kg
Minimum load	100/200 g	200 g	0,2/0,4 kg	0,4 kg	0,4/1 kg	1 kg
Readability	5/10 g	10 g	10/20 g	20 g	20/50 g	50 g
Verification interval	5/10 g	10 g	10/20 g	20 g	20/50 g	50 g
Tare range	-30 kg	-30 kg	-60 kg	-60 kg	-150 kg	-150 kg
Repeatability	5/10 g	10 g	10/20 g	20 g	20/50 g	50 g
Linearity	±5/10 g	±10 g	±10/20 g	±20 g	±20/50 g	±50 g
OIML class	III					
Pan size	400×500 mm					
Stabilization time	3 s					
Working temperature	-10 ° ÷ +40 °C					
Storage temperature	-25 ° ÷ +70 °C					
IP rating	IP 54					
Power supply	110÷230VAC 50/60Hz / 10,5÷15VDC					
Adjustment / Calibration	external					
Display	5,7" touch screen					
Interface	2×USB, 2×RS 232, Ethernet, 4IN / 4OUT					
Net weight / Gross weight	15,5/17,8 kg					
Packaging size	720×580×220 mm					

Technical data:

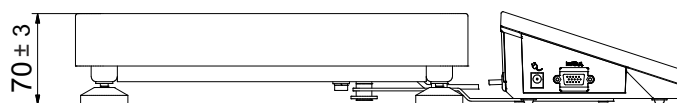
	WPY 150/300/C2/K	WPY 300/C2/K	WPY 150/C3/K	WPY 300/C3/K
Max capacity	150/300 kg	300 kg	150 kg	300 kg
Minimum load	1/2 kg	2 kg	1 kg	2 kg
Readability	50/100 g	100 g	50 g	100 g
Verification interval	50/100 g	100 g	50 g	100 g
Tare range	-300 kg	-300 kg	-150 kg	-300 kg
Repeatability	50/100 g	100 g	50 g	100 g
Linearity	±50/100 g	±100 g	±50 g	±100 g
OIML class	III		III	
Pan size	400×500 mm		500×700 mm	
Stabilization time	3 s		3 s	
Working temperature	-10 ° ÷ +40 °C		-10 ° ÷ +40 °C	
Storage temperature	-25 ° ÷ +70 °C		-25 ° ÷ +70 °C	
IP rating	IP 54		IP 54	
Power supply	110÷230VAC 50/60Hz / 10,5÷15VDC		110÷230VAC 50/60Hz / 10,5÷15VDC	
Adjustment / Calibration	external		external	
Display	5,7" touch screen		5,7" touch screen	
Interface	2×USB, 2×RS 232, Ethernet, 4IN / 4OUT		2×USB, 2×RS 232, Ethernet, 4IN / 4OUT	
Net weight / Gross weight	15,5/17,8 kg		20,5/26,8 kg	
Packaging size	720×580×220 mm		820×640×260 mm	

IN/OUT PARAMETERS**IN 1 ÷ OUT 4****IN 1 ÷ OUT 4**

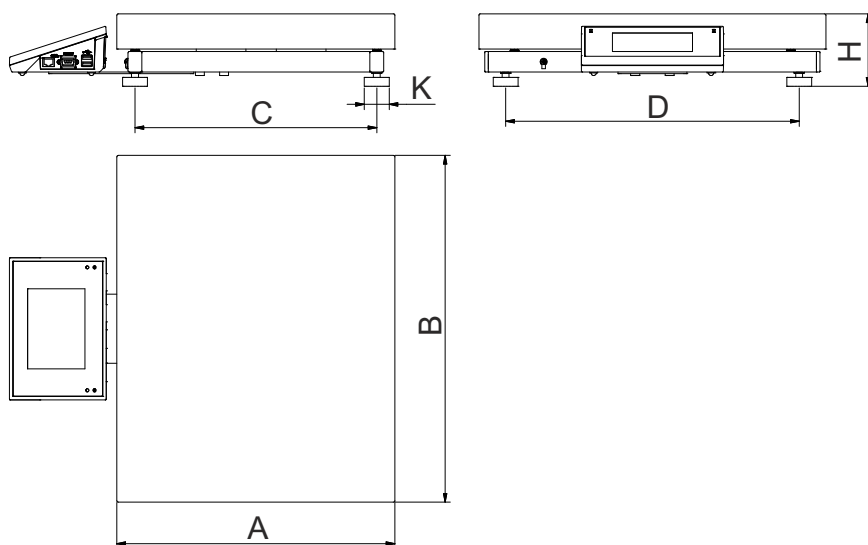
IN/ OUT type	Reed relay type NO	Opto-isolated
Wire cross-section	0,14 ÷ 0,5 mm ²	
Maximum switching current	200 mA DC	
Maximum forward voltage	50 V DC	
Control voltage range	5 ÷ 24 V DC	



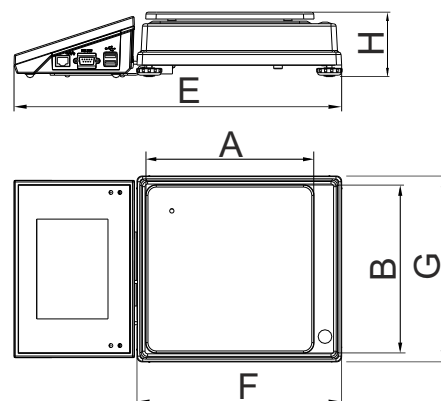
F1 version



C2, C3 version



D2 version



Name	A [mm]	B [mm]	C [mm]	D [mm]	H [mm]	E [mm]	F [mm]	G [mm]	K [mm]
WPY ... F1/K	300	300	226	256	70±3	-	-	-	Ø 36
WPY ... F1/R	300	300	226	256	70±3	-	-	-	Ø 36
WPY ... C2/K	402	502	350	425	105±5	-	-	-	Ø 36
WPY ... C2/R	402	502	350	425	105±5	-	-	-	Ø 36
WPY ... C3/K	701	501	628	428	130±5	-	-	-	Ø 50
WPY ... D2	195	195	-	-	77	381	238	216	-

Additional equipment:

Kafka thermal printer	Tansponder card reader: CK-01
Epson dot matrix printer	Power loop output
Citizen label printer	PW-WIN computer software
Anti-dust case for Epson and Citizen printers	RAD-KEY computer software
RS232/RS485 converter KR-01	RS 232 cable: scale - computer: P0108
Anti-vibration table	RS 232 cable: scale - thermal printer: P0136
Rack for under hook weighing	RS 232 cable: scale - "Epson/Citizen" printer: P0151
PC keyboard	Power cord with jack for car lighter 12V: K0047
LCD display	USB cable: scale - "Epson/Citizen" printer: PT0087
Large LCD display (digit height 4,5")	USB adapter: PT0084
Bar code scanner	

CONTROL SCALES WPW/T/HR/FH



issue date 06-09-2011



E2R SYSTEM

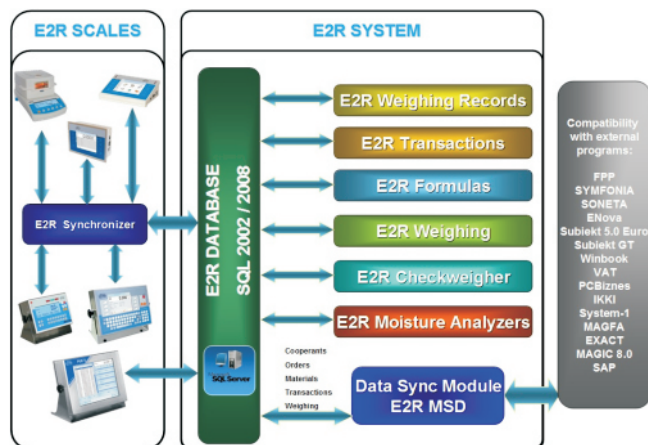
Control scales series **WPW/T/HR/FH** are designed for fast controlling mass of a product that is batched directly on manufacturing-filling technological line. The scale can operate as a separate weighing station, but its complete functionality is achieved by joining number of scales into a computer managed network supported by application **E2R System** offered by **RADWAG**. The scale is dedicated mainly for fish and meat processing plants, requiring fast and reliable measurements combined with scale's robust construction resistant to harsh ambient conditions of operation. Due to the specificity of major clients for whom scale series **WPW/T/HR/FH** is **dedicated, the instrument's construction is fully made of stainless steel AISI316, and stainless steel load cell with IP rating 68/69K**. The scale features an indicator with housing made of **0H18N9 (AISI 304)** steel comprising a clear LCD display. All connecting conductors and external wiring (power cord, conductor joining indicator and weighing platform, Ethernet-scale cable) are made of special wire with polyurethane isolation, a so called **PUR**. The **PUR** conductors are used in areas requiring high resistance to chemical agents, lubricants, oils and solvents. Application of signalization system enables immediate determining weighing range of a measured load. Such extended functionality shortens and speeds up product's batching and packaging process, and additionally improves efficiency of workers operating the technological line.

Scale construction:

- stainless steel AISI 316, IP 68

Load cell:

- stainless steel 1.4548, IP 68/69K



Instances of WPW/T/HR/FH applications in industry *

* Racks for scales are not their standard equipment, and they are subject to individual valuation.

Technical data:

	WPW/T 3/HR2/FH	WPW/T 6/HR2/FH	WPW/T 15/HR2/FH	WPW/T 15/HR3/FH	WPW/T 30/HR3/FH	WPW/T 60/HR3/FH
Maximal capacity	3 kg	6 kg	15 kg	15kg	30 kg	60 kg
Readability	1 g	2 g	5 g	5 g	10 g	20 g
Minimal mass	20 g	40 g	100 g	100 g	200 g	400 g
Tare range	-3 kg	-6 kg	-15 kg	-15 kg	-30 kg	-60 kg
Pan size	250×300 mm	250×300 mm	250×300 mm	410×410 mm	410×410 mm	410×410 mm
OIML class	III					
Operating temperature	-10° + +40 °C					
Interfaces	RS 232, RS 485					
IP rating	IP 68 - construction; IP 68/69K - load cell; IP 66/67 - indicator					
Power supply	220 ÷ 240 V AC 50÷60 Hz					
Display	LCD					